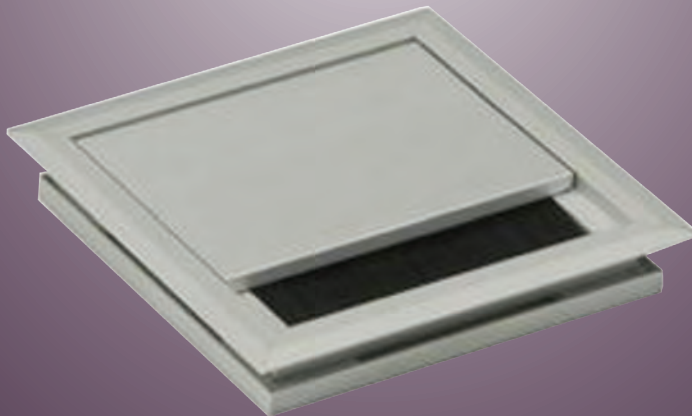
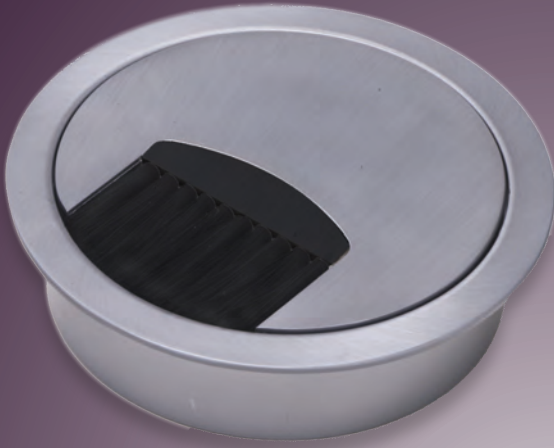


# GROMMETS



# Brush Grommet



# GROMMETS

## Adjustable Grommet with Bristles

Kitchens

### Features:

- Overlapping Trim Edge
- Lock In Top System
- Screw Hole To Permanently Attach Grommet To Furniture
- Adjustable From 2 3/8" - 60mm To 2 1/2" - 63.5mm Item #H6837
- Adjustable From 3" - 76mm To 3 1/8" - 80mm Item #H6850

Doors

Kitchen Accessories

Hinges

Drawer Slides

Plywood Melamine

Veneer Edgebanding

Laminate

Solid Surface

Closets

Furniture Hardware

Pulls & Knobs

Lighting



014 Black



074 Satin Aluminum



075 Polished Brass



079 Polished Chrome



082 Antique Brass



Silicone Sleeve Provided for Expandable Size Option

Grommets

Locks, Lock Systems

Molding, Carvings

Tools

Adhesives Solvents Abrasives

Chemicals Staples Screws

Item#	Bore Hole	Expandable to Bore Hole Using Silicone Sleeve	Depth	Overall Diameter	Color
H6837-014	2-3/8" - 60mm	2 1/2" - 63.5mm	7/8" - 22mm	2-3/4" - 70mm	Black
H6837-074	2-3/8" - 60mm	2 1/2" - 63.5mm	7/8" - 22mm	2-3/4" - 70mm	Satin Aluminum
H6837-078	2-3/8" - 60mm	2 1/2" - 63.5mm	7/8" - 22mm	2-3/4" - 70mm	Brushed Chrome
Item#	Bore Hole	Expandable to Bore Hole Using Silicone Sleeve	Depth	Overall Diameter	Color
H6850-014	3" - 76mm	3-1/8" - 80mm	7/8" - 22mm	3-1/4" - 82.5mm	Black
H6850-074	3" - 76mm	3-1/8" - 80mm	7/8" - 22mm	3-1/4" - 82.5mm	Satin Aluminum
H6850-075	3" - 76mm	3-1/8" - 80mm	7/8" - 22mm	3-1/4" - 82.5mm	Polished Brass
H6580-078	3" - 76mm	3-1/8" - 80mm	7/8" - 22mm	3-1/4" - 82.5mm	Brushed Chrome
H6850-079	3" - 76mm	3-1/8" - 80mm	7/8" - 22mm	3-1/4" - 82.5mm	Polished Chrome
H6850-082	3" - 76mm	3-1/8" - 80mm	7/8" - 22mm	3-1/4" - 82.5mm	Antique Brass

# GROMMETS

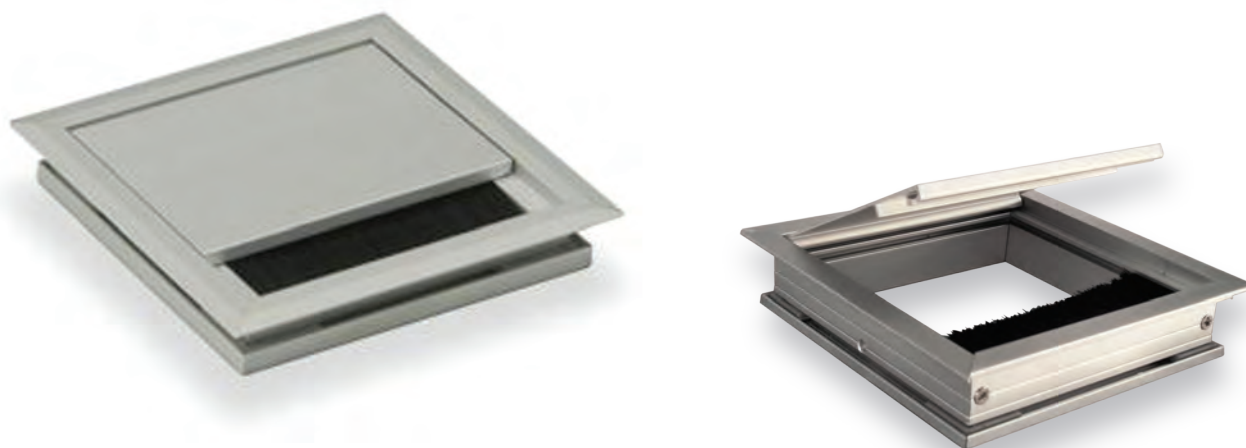
## Adjustable Grommet with Bristles

### Features:

- Overlapping Trim Edge
- Hinged Top with Brushes
- Satin Aluminum Finish



Item#	Bore Hole	Depth	Overall Diameter	Color
<b>H6891-014</b>	9-1/3" - 237mm X 3-9/10" - 99mm	9/16" - 15mm	9-15/32" - 240mm X 3-15/16" - 100mm	Black
<b>H6891-074</b>	9-1/3" - 237mm X 3-9/10" - 99mm	9/16" - 15mm	9-15/32" - 240mm X 3-15/16" - 100mm	Satin Aluminum

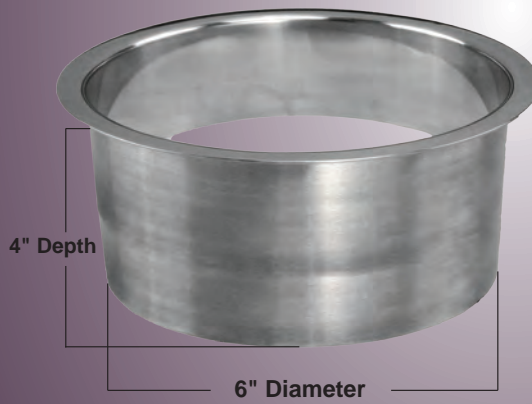
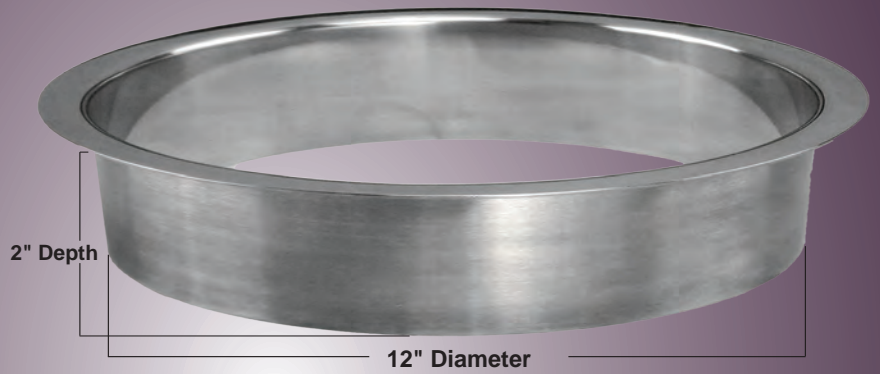
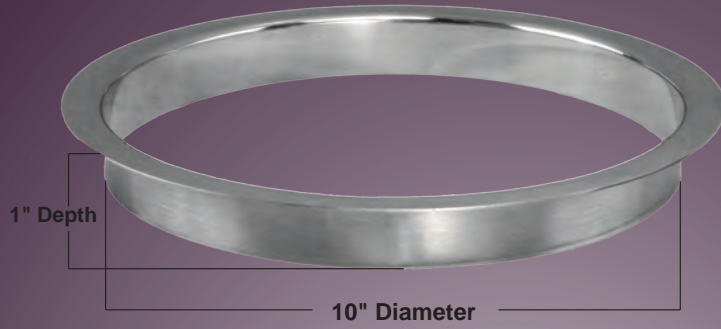


Item#	Bore Hole	Depth	Overall Diameter	Color
<b>H6895-014</b>	4-2/5" - 111mm Square	1-1/16" - 27mm	4-5/8" - 119mm Square	Black
<b>H6895-074</b>	4-2/5" - 111mm Square	1-1/16" - 27mm	4-5/8" - 119mm Square	Satin Aluminum

- Kitchens
- Doors
- Kitchen Accessories
- Hinges
- Drawer Slides
- Plywood Melamine
- Veneer Edgebanding
- Laminate
- Solid Surface
- Closets
- Furniture Hardware
- Pulls & Knobs
- Lighting
- Grommets**
- Locks, Lock Systems
- Molding, Carvings
- Tools
- Adhesives Solvents Abrasives
- Chemicals Staples Screws

# GROMMETS

# Stainless Trash Grommet



Kitchens

Doors

Kitchen  
Accessories

Hinges

Drawer  
Slides

Plywood  
Melamine

Veneer  
Edgebanding

Laminate

Solid  
Surface

Closets

Furniture  
Hardware

Pulls  
&  
Knobs

Lighting

Grommets

Locks,  
Lock  
Systems

Molding,  
Carvings

Tools

Adhesives  
Solvents  
Abrasives

Chemicals  
Staples  
Screws

# GROMMETS

## Stainless Steel Grommets

- 16 SIZES AVAILABLE
- OVERLAPPING TRIM EDGE
- PROFESSIONAL FINISHING TOUCH

Item#	Bore Hole	Depth	Overall Diameter	Color	Finish
H6123-179	2-1/2" - 64mm	1" - 25mm	3" - 76mm	Stainless Steel	Polished
H6123-279	3" - 76mm	1-1/2" - 50mm	3-1/2" - 89mm	Stainless Steel	Polished
H6124-279	4" - 102mm	2" - 50mm	4-3/4" - 120mm	Stainless Steel	Polished
H6145-100	5" - 127mm	2" - 50mm	5-3/4" - 146mm	Stainless Steel	Brushed
H6143-100	6" - 152mm	1" - 25mm	6-3/4" - 171mm	Stainless Steel	Brushed
H6143-179	6" - 152mm	1" - 25mm	6-3/4" - 171mm	Stainless Steel	Polished
H6143-279	6" - 152mm	2" - 25mm	6-3/4" - 171mm	Stainless Steel	Polished
H6143-479	6" - 152mm	4" - 102mm	6-3/4" - 171mm	Stainless Steel	Polished
H6143-679	6" - 152mm	6" - 152mm	6-3/4" - 171mm	Stainless Steel	Polished
H6148-179	8" - 203mm	1" - 25mm	8-3/4" - 222mm	Stainless Steel	Polished
H6148-279	8" - 203mm	2" - 25mm	8-3/4" - 222mm	Stainless Steel	Polished
H6150-179	10" - 254mm	1" - 25mm	10-3/4" - 273mm	Stainless Steel	Polished
H6150-279	10" - 254mm	2" - 25mm	10-3/4" - 273mm	Stainless Steel	Polished
H6152-179	12" - 304mm	1" - 25mm	12-3/4" - 323mm	Stainless Steel	Polished
H6152-279	12" - 304mm	2" - 25mm	12-3/4" - 323mm	Stainless Steel	Polished
H6152-679	12" - 304mm	6" - 152mm	12-3/4" - 323mm	Stainless Steel	Polished



- Kitchens
- Doors
- Kitchen Accessories
- Hinges
- Drawer Slides
- Plywood Melamine
- Veneer Edgebanding
- Laminate
- Solid Surface
- Closets
- Furniture Hardware
- Pulls & Knobs
- Lighting
- Grommets**
- Locks, Lock Systems
- Molding, Carvings
- Tools
- Adhesives Solvents Abrasives
- Chemicals Staples Screws

# GROMMETS

## Stainless Steel Grommets

- Kitchens • OVERLAPPING TRIM EDGE
- Doors • SMOOTH FINISH
- PROFESSIONAL FINISHING TOUCH



1" Depth

Item#	Bore Hole	Depth	Overall Diameter	Color	Finish
H6123-179	2-1/2" - 64mm	1" - 25mm	3" - 76mm	Stainless Steel	Polished
H6123-279	3" - 76mm	1-1/2" - 50mm	3-1/2" - 89mm	Stainless Steel	Polished
H6143-100	6" - 152mm	1" - 25mm	6-3/4" - 171mm	Stainless Steel	Brushed
H6143-179	6" - 152mm	1" - 25mm	6-3/4" - 171mm	Stainless Steel	Polished
H6148-179	8" - 203mm	1" - 25mm	8-3/4" - 222mm	Stainless Steel	Polished
H6150-179	10" - 254mm	1" - 25mm	10-3/4" - 273mm	Stainless Steel	Polished
H6152-179	12" - 304mm	1" - 25mm	12-3/4" - 323mm	Stainless Steel	Polished



2" Depth

Item#	Bore Hole	Depth	Overall Diameter	Color	Finish
H6124-279	4" - 102mm	2" - 50mm	4-3/4" - 120mm	Stainless Steel	Polished
H6145-100	5" - 127mm	2" - 50mm	5-3/4" - 146mm	Stainless Steel	Brushed
H6143-279	6" - 152mm	2" - 25mm	6-3/4" - 171mm	Stainless Steel	Polished
H6148-279	8" - 203mm	2" - 25mm	8-3/4" - 222mm	Stainless Steel	Polished
H6150-279	10" - 254mm	2" - 25mm	10-3/4" - 273mm	Stainless Steel	Polished
H6152-279	12" - 304mm	2" - 25mm	12-3/4" - 323mm	Stainless Steel	Polished

# GROMMETS

## Stainless Steel Grommets

- OVERLAPPING TRIM EDGE
- SMOOTH FINISH
- PROFESSIONAL FINISHING TOUCH



4" Depth

Item#	Bore Hole	Depth	Overall Diameter	Color	Finish
<b>H6143-479</b>	6" - 152mm	4" - 102mm	6-3/4" - 171mm	Stainless Steel	Polished



6" Depth

Item#	Bore Hole	Depth	Overall Diameter	Color	Finish
<b>H6143-679</b>	6" - 152mm	6" - 152mm	6-3/4" - 171mm	Stainless Steel	Polished
<b>H6152-679</b>	12" - 304mm	6" - 152mm	12-3/4" - 323mm	Stainless Steel	Polished

- Kitchens
- Doors
- Kitchen Accessories
- Hinges
- Drawer Slides
- Plywood Melamine
- Veneer Edgebanding
- Laminate
- Solid Surface
- Closets
- Furniture Hardware
- Pulls & Knobs
- Lighting
- Grommets**
- Locks, Lock Systems
- Molding, Carvings
- Tools
- Adhesives Solvents Abrasives
- Chemicals Staples Screws

# GROMMETS

## Stainless Steel Grommets

Kitchens

- OVERLAPPING TRIM EDGE
- SMOOTH FINISH
- PROFESSIONAL FINISHING TOUCH

Doors

Kitchen  
Accessories

Hinges

Drawer  
Slides

Plywood  
Melamine

Veneer  
Edgebanding

Laminate

Solid  
Surface

Closets

Furniture  
Hardware

Pulls  
&  
Knobs

Lighting

Grommets

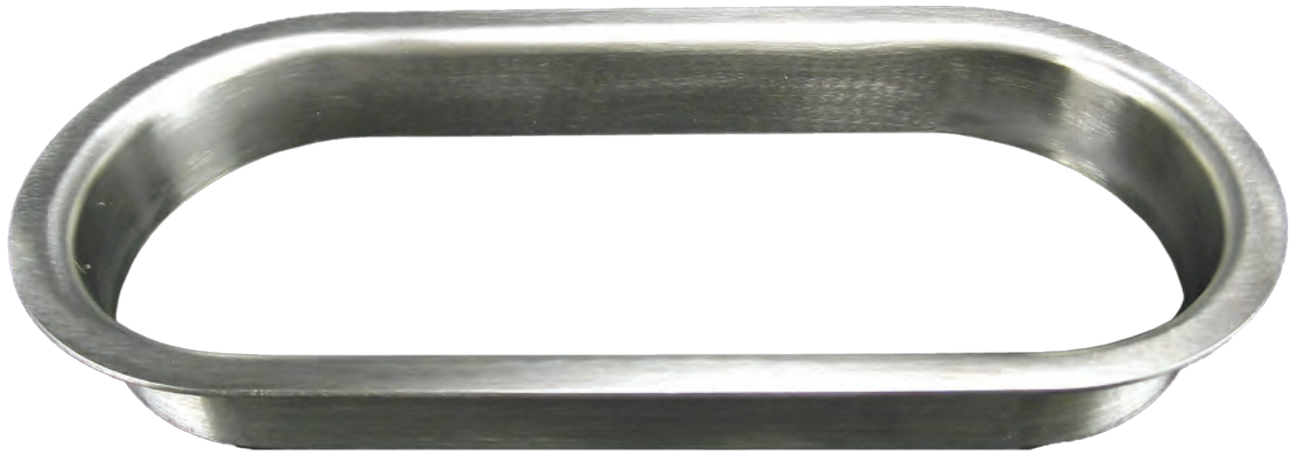
Locks,  
Lock  
Systems

Molding,  
Carvings

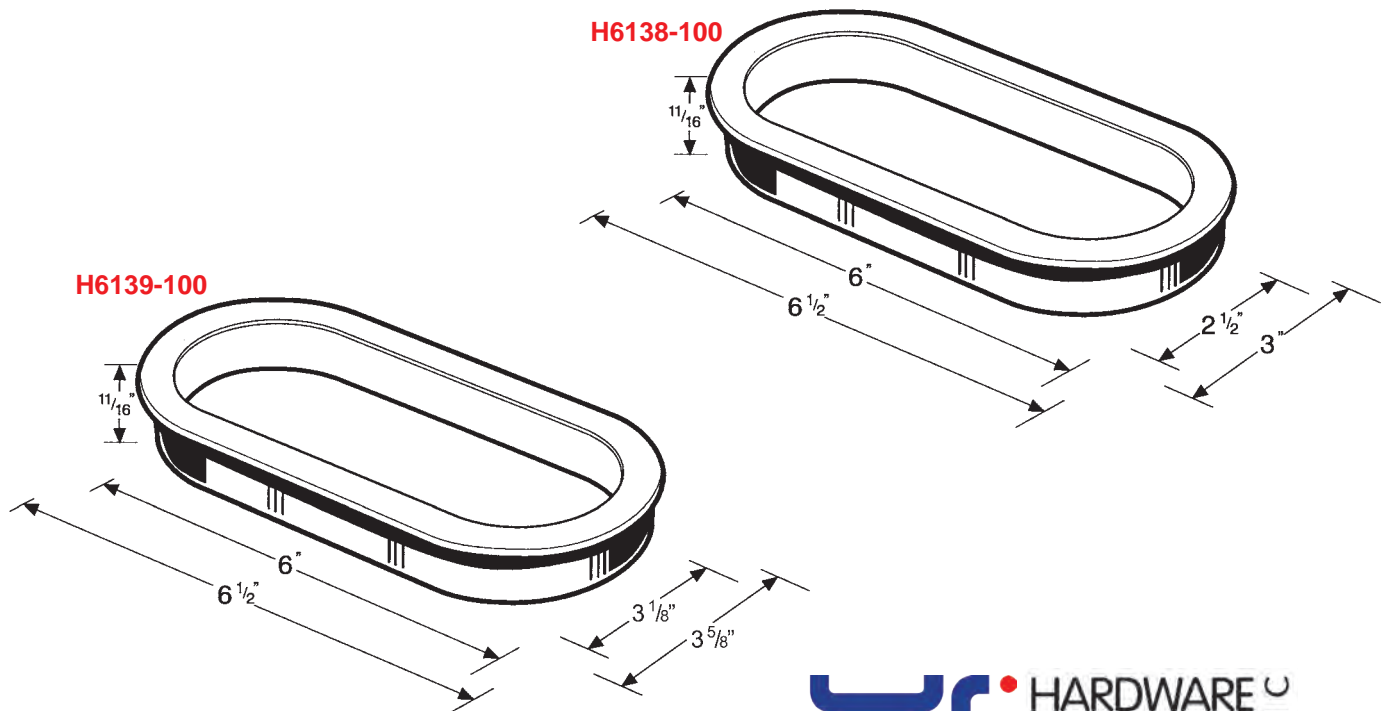
Tools

Adhesives  
Solvents  
Abrasives

Chemicals  
Staples  
Screws



Item#	Bore Hole	Depth	Color	Finish
<b>H6138-100</b>	6" - 152mm x 2-1/2" - 64mm	11/16"	Stainless Steel	Brushed
<b>H6139-100</b>	6" - 152mm x 3-1/8" - 64mm	11/16"	Stainless Steel	Brushed





# GROMMETS

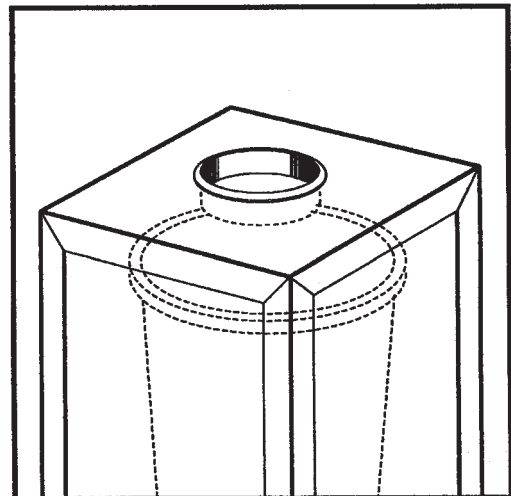
## Trash Grommets

- OVERLAPPING TRIM EDGE
- SMOOTH FINISH
- PROFESSIONAL FINISHING TOUCH

Item#	Bore Hole	Depth	Overall Diameter	Color
H6122-010	4-1/8" 105mm	7/8" - 22mm	4-3/8" - 111mm	White
H6122-014	4-1/8" 105mm	7/8" - 22mm	4-3/8" - 111mm	Black
H6122-021	4-1/8" 105mm	7/8" - 22mm	4-3/8" - 111mm	Gray
H6122-029	4-1/8" 105mm	7/8" - 22mm	4-3/8" - 111mm	Almond
H6122-075	4-1/8" 105mm	7/8" - 22mm	4-3/8" - 111mm	Gold
H6122-079	4-1/8" 105mm	7/8" - 22mm	4-3/8" - 111mm	Chrome
Item#	Bore Hole	Depth	Overall Diameter	Color
44-115	6" - 152mm	1" - 25mm	6-3/4" - 171mm	White
44-117	6" - 152mm	1" - 25mm	6-3/4" - 171mm	Black
44-119	6" - 152mm	1" - 25mm	6-3/4" - 171mm	Gray
44-121	6" - 152mm	1" - 25mm	6-3/4" - 171mm	Almond
44-123	6" - 152mm	1" - 25mm	6-3/4" - 171mm	Brown
44-113	6" - 152mm	1" - 25mm	6-3/4" - 171mm	Chrome



44-117 Black Shown



Kitchens

Doors

Kitchen Accessories

Hinges

Drawer Slides

Plywood Melamine

Veneer Edgebanding

Laminate

Solid Surface

Closets

Furniture Hardware

Pulls & Knobs

Lighting

Grommets

Locks, Lock Systems

Molding, Carvings

Tools

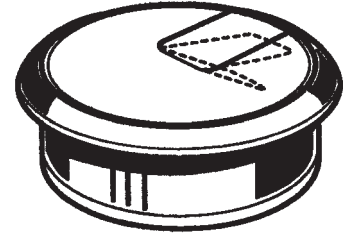
Adhesives Solvents Abrasives

Chemicals Staples Screws

# GROMMETS

## 2-Piece Wire Grommet

- Made In U.S.A.
- Living Hinge Tabbed Openings
- Fine Pebble Texture Finish
- Overlapping Trim Edge



Item#	Bore Hole	Depth	Overall Dia.	Color	Size
<b>44-131</b>	3/4" - 19mm	5/8" - 16mm	1" - 25mm	Black	3/4" - 19mm
Item#	Bore Hole	Depth	Overall Dia.	Color	Size
<b>44-133</b>	1" - 25mm	5/8" - 16mm	1-1/4" - 32mm	Black	1" - 25mm
Item#	Bore Hole	Depth	Overall Dia.	Color	Size
<b>44-135</b>	1-1/4" - 32mm	5/8" - 16mm	1-1/2" - 38mm	Black	1-1/4" - 32mm
<b>44-134</b>	1-1/4" - 32mm	5/8" - 16mm	1-1/2" - 38mm	White	1-1/4" - 32mm
Item#	Bore Hole	Depth	Overall Dia.	Color	Size
<b>44-136</b>	1-1/2" - 38mm	5/8" - 16mm	1-3/4" - 44mm	White	1-1/2" - 38mm
<b>44-137</b>	1-1/2" - 38mm	5/8" - 16mm	1-3/4" - 44mm	Black	1-1/2" - 38mm
<b>44-138</b>	1-1/2" - 38mm	5/8" - 16mm	1-3/4" - 44mm	Almond	1-1/2" - 38mm
Item#	Bore Hole	Depth	Overall Dia.	Color	Size
<b>44-124</b>	1-3/4" - 44mm	1" - 25mm	2" - 50mm	White	1-3/4" - 44mm
<b>44-125</b>	1-3/4" - 44mm	1" - 25mm	2" - 50mm	Almond	1-3/4" - 44mm
<b>44-139</b>	1-3/4" - 44mm	1" - 25mm	2" - 50mm	Black	1-3/4" - 44mm
Item#	Bore Hole	Depth	Overall Dia.	Color	Size
<b>44-150</b>	2" - 50mm	5/8" - 16mm	2-1/4" - 57mm	White	2" - 50mm
<b>44-151</b>	2" - 50mm	5/8" - 16mm	2-1/4" - 57mm	Black	2" - 50mm
<b>44-152</b>	2" - 50mm	5/8" - 16mm	2-1/4" - 57mm	Almond	2" - 50mm

**\*\*All Colors are approximations, Actual results may vary.\*\***



WHITE

ALMOND

GREY

BROWN

BLACK



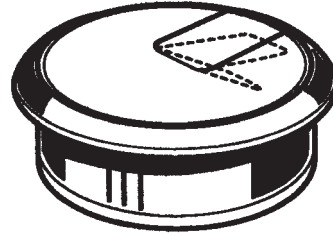
# GROMMETS

## 2-Piece Wire Grommet

- Made In U.S.A.
- Living Hinge Tabbed Openings
- Fine Pebble Texture Finish
- Overlapping Trim Edge

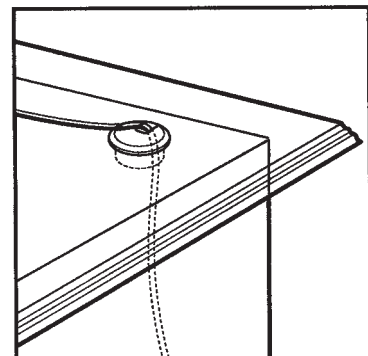


Part # 44-156 Shown



Item#	Bore Hole	Depth	Overall Dia.	Color	Size
44-140	2-3/8" - 60mm	5/8" - 16mm	2-5/8" - 67mm	White	2-3/8" - 60mm
44-141	2-3/8" - 60mm	5/8" - 16mm	2-5/8" - 67mm	Black	2-3/8" - 60mm
44-142	2-3/8" - 60mm	5/8" - 16mm	2-5/8" - 67mm	Almond	2-3/8" - 60mm
Item#	Bore Hole	Depth	Overall Dia.	Color	Size
44-148	2-1/2" - 64mm	5/8" - 16mm	2-3/4" - 70mm	White	2-1/2" - 64mm
44-143	2-1/2" - 64mm	5/8" - 16mm	2-3/4" - 70mm	Black	2-1/2" - 64mm
44-144	2-1/2" - 64mm	5/8" - 16mm	2-3/4" - 70mm	Almond	2-1/2" - 64mm
Item#	Bore Hole	Depth	Overall Dia.	Color	Size
44-156	3" - 76mm	5/8" - 16mm	3-1/4" - 83mm	White	3" - 76mm
44-145	3" - 76mm	5/8" - 16mm	3-1/4" - 83mm	Black	3" - 76mm
44-146	3" - 76mm	5/8" - 16mm	3-1/4" - 83mm	Almond	3" - 76mm
Item#	Bore Hole	Depth	Overall Dia.	Color	Size
44-147	3-1/4" - 83mm	5/8" - 16mm	3-1/2" - 89mm	Black	3-1/4" - 83mm
Item#	Bore Hole	Depth	Overall Dia.	Color	Size
44-149	3-1/2" - 89mm	5/8" - 16mm	3-3/4" - 95mm	Black	3-1/2" - 89mm

\*\*All Colors are approximations, Actual results may vary.\*\*



- Kitchens
- Doors
- Kitchen Accessories
- Hinges
- Drawer Slides
- Plywood Melamine
- Veneer Edgebanding
- Laminate
- Solid Surface
- Closets
- Furniture Hardware
- Pulls & Knobs
- Lighting
- Grommets
- Locks, Lock Systems
- Molding, Carvings
- Tools
- Adhesives Solvents Abrasives
- Chemicals Staples Screws

# GROMMETS

## 3-Piece Wire Grommet

Kitchens

- Made In U.S.A.
- Living Hinge Tabbed Openings
- Fine Pebble Texture Finish
- Overlapping Trim Edge

Doors

Kitchen Accessories

Hinges

Drawer Slides

Plywood Melamine

Veneer Edgebanding

Laminate

Solid Surface

Closets

Furniture Hardware

Pulls & Knobs

Lighting

**Grommets**

Locks, Lock Systems

Molding, Carvings

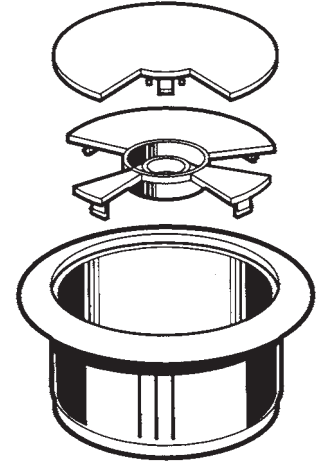
Tools

Adhesives Solvents Abrasives

Chemicals Staples Screws



Part # 44-786 Shown



Item#	Bore Hole	Depth	Overall Dia.	Color	Size
43-780	50mm	25mm	62mm	White	50mm
43-782	50mm	25mm	62mm	Black	50mm
43-786	50mm	25mm	62mm	Almond	50mm
43-788	50mm	25mm	62mm	Brown	50mm
Item#	Bore Hole	Depth	Overall Dia.	Color	Size
43-200	60mm	25mm	72mm	White	60mm
43-194	60mm	25mm	72mm	Black	60mm
43-202	60mm	25mm	72mm	Gray	60mm
43-204	60mm	25mm	72mm	Almond	60mm
43-192	60mm	25mm	72mm	Brown	60mm
Item#	Bore Hole	Depth	Overall Dia.	Color	Size
43-206	70mm	25mm	82mm	White	70mm
43-794	70mm	25mm	82mm	Black	70mm
43-208	70mm	25mm	82mm	Gray	70mm
43-210	70mm	25mm	82mm	Almond	70mm
Item#	Bore Hole	Depth	Overall Dia.	Color	Size
43-796	80mm	25mm	92mm	Black	80mm

**\*\*All Colors are approximations, Actual results may vary.\*\***



WHITE

ALMOND

GREY

BROWN

BLACK



# GROMMETS

## Flexi-Grommet

## Wire Grommets

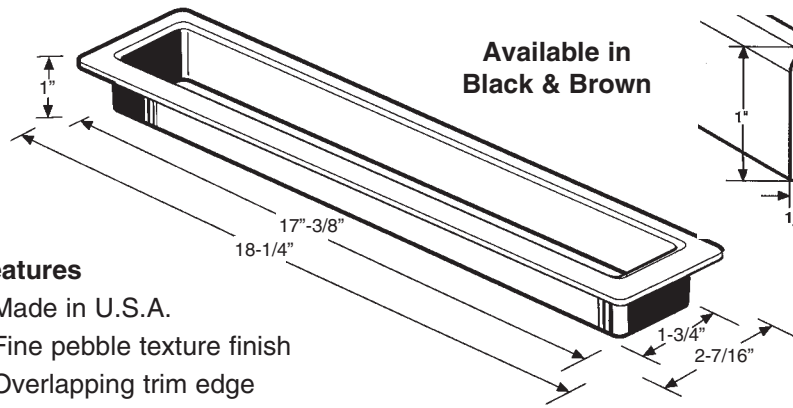


ORDER NUMBER	SIZE	COLOR
44-105	80mm	Black
44-107	80mm	Gray
44-109	80mm	Beige
44-111	80mm	Brown
44-102	60mm	Black
44-104	60mm	Gray
44-106	60mm	Beige
44-108	60mm	Brown

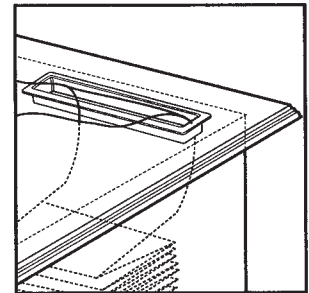


- Kitchens
- Doors
- Kitchen Accessories
- Hinges
- Drawer Slides

## Paper Grommet



Available in  
Black & Brown



### Features

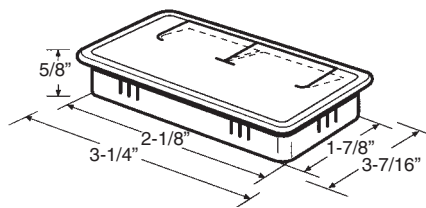
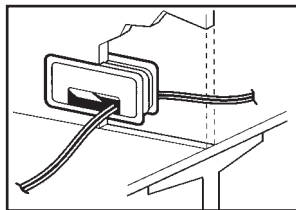
- Made in U.S.A.
- Fine pebble texture finish
- Overlapping trim edge
- Full relief groove all around

### ORDER NUMBERS

Black..... 43-720  
Brown ..... 43-724

- Plywood Melamine
- Veneer Edgebanding
- Laminate
- Solid Surface
- Closets
- Furniture Hardware
- Pulls & Knobs

## Telescoping Wire Grommet – Liner & Edge Hinged Tab



ORDER NUMBER.....44-167

Available in  
Black



### Features

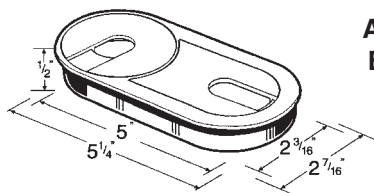
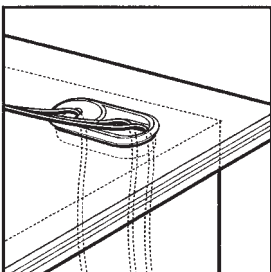
- Made in U.S.A.
- Living hinge tabbed openings
- Fine pebble texture finish
- Overlapping trim edge

- Lighting

### Grommets

- Locks, Lock Systems
- Molding, Carvings

## Telescoping Wire Grommet – Liner & Edge Hinged Tab



ORDER NUMBER.....44-173

Available in  
Black Only



### Features

- Made in U.S.A.
- Fine pebble texture finish

- Tools

- Adhesives Solvents Abrasives

- Chemicals Staples Screws

# GROMMETS

## Ventilation Grommets

Kitchens

Doors

Kitchen Accessories

Hinges

Drawer Slides

Plywood Melamine

Veneer Edgebanding

Laminate

Solid Surface

Closets

Furniture Hardware

Pulls & Knobs

Lighting

Grommets

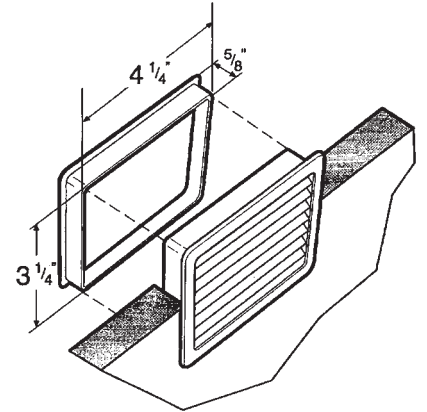
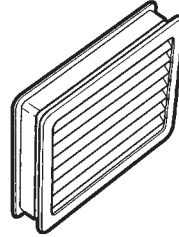
Locks, Lock Systems

Molding, Carvings

Tools

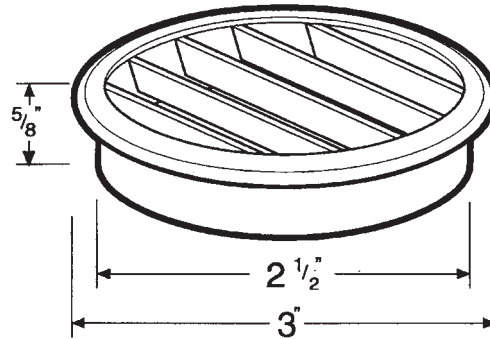
Adhesives Solvents Abrasives

Chemicals Staples Screws



Color **010** White Shown

Item#	Bore Hole	Depth	Overall Diameter	Color
<b>H6437-010</b>	3-1/4" 83mm	5/8" - 15mm	4-1/4" - 108mm	White
<b>43-478</b>	3-1/4" 83mm	5/8" - 15mm	4-1/4" - 108mm	Black
<b>H6437-021</b>	3-1/4" 83mm	5/8" - 15mm	4-1/4" - 108mm	Gray
<b>H6437-029</b>	3-1/4" 83mm	5/8" - 15mm	4-1/4" - 108mm	Almond
<b>H6437-058</b>	3-1/4" 83mm	5/8" - 15mm	4-1/4" - 108mm	Brown



**44-153** Black Shown

Item#	Bore Hole	Depth	Overall Diameter	Color
<b>H6435-010</b>	2-1/2" 64mm	5/8" - 16mm	3" - 76mm	White
<b>44-153</b>	2-1/2" 64mm	5/8" - 16mm	3" - 76mm	Black
<b>H6435-021</b>	2-1/2" 64mm	5/8" - 16mm	3" - 76mm	Gray
<b>H6435-029</b>	2-1/2" 64mm	5/8" - 16mm	3" - 76mm	Almond
<b>H6435-058</b>	2-1/2" 64mm	5/8" - 16mm	3" - 76mm	Brown

# GROMMETS

## Ventilation Grommets

- OVERLAPPING TRIM EDGE
  - SMOOTH FINISH
- PROFESSIONAL FINISHING TOUCH
- SCREW HOLES TO SECURE GROMMET TO FURNITURE
  - ALL STEEL CONSTRUCTION



Color **014** Black Shown

Item#	Bore Hole		Depth	Overall Diameter	Color
<b>H6439-010</b>	Length	12"	5/8"	12-1/2"	White
	Width	6"			
<b>H6439-014</b>	Length	12"	5/8"	12-1/2"	Black
	Width	6"			
<b>H6439-078</b>	Length	12"	5/8"	12-1/2"	Brushed
	Width	6"			

Kitchens  
Doors  
Kitchen Accessories  
Hinges  
Drawer Slides  
Plywood Melamine  
Veneer Edgebanding  
Laminate  
Solid Surface  
Closets  
Furniture Hardware  
Pulls & Knobs  
Lighting

### Grommets

Locks, Lock Systems  
Molding, Carvings  
Tools  
Adhesives Solvents Abrasives  
Chemicals Staples Screws

## Ventilation Fan

Kitchens

Doors

Kitchen Accessories

Hinges

Drawer Slides

Plywood Melamine

Veneer Edgebanding

Laminate

Solid Surface

Closets

Furniture Hardware

Pulls & Knobs

Lighting

**Grommets**

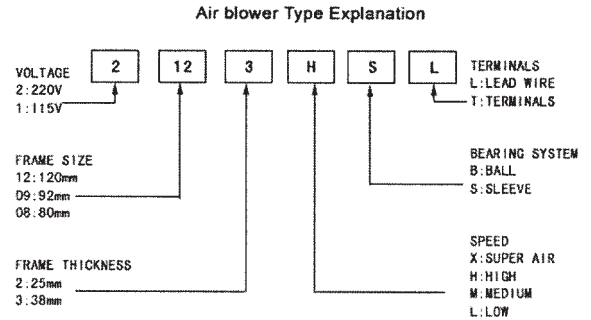
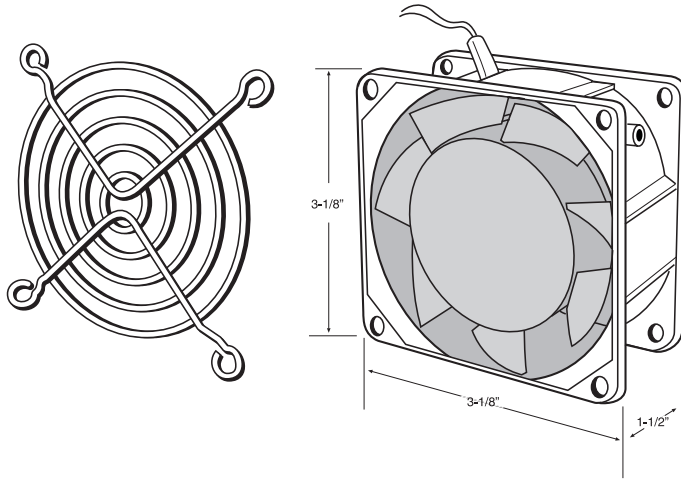
Locks, Lock Systems

Molding, Carvings

Tools

Adhesives Solvents Abrasives

Chemicals Staples Screws



**ORDER NUMBER.....44-155**

Fan sold with steel protector



The axial-flow AC fan uses aluminum die casting frame, with blades made of VO pole fire resistant PBT plastic injection mold, oil bearing structure. The fan widely applies to accurate apparatus, generating equipment, warm-air drier, electric welder. Before leaving factory, the fan is strictly tested (including dielectric strength, moisture-proof, cold resistance, thermostability, impact strength, longevity experiment, etc.) to insure maximum safety and maximum life expectancy.

**AVERAGE LIFE OF FAN 50,000 HOURS  
(5.7 YEARS OF CONSTANT USE!!)**

Motor: Shaded pole motor structure

Frame: Black stoving varnish aluminium die casting, antiseptic and damp proof.

Fan Blade: Injection molded one-off shaping, PBT+30% Fiberglass = VO pole fire resistant agent

Insulation: B level insulated eNamel-covered wire with 120 centigrade high-temperature resistance

Insulating Electric Resistance: over 500 mega-ohm

Withstand Voltage: Leaking current 0.5 mA, withstand voltage 1500/one minute.

Operating temperature: -10 centigrade to +70 centigrade

Storing temperature: -40 centigrade to +70 centigrade

Operating Voltage: 115V (from 85V to 125V)

220V (from 185V to 245V)

Working life 50,000 hours

Environment temperature s 25 Deg. C



# GROMMETS

## “The Brain” Smart Grommet



### Workstation Grommet Hub

- Surge protection
- 4 usb 2.0 ports
- 2 electric outlets
- Ethernet connection
- Phone connection

Order Number .....41-150  
12 Units Per Case



SIDE

A powerful solution for easy access to Ethernet Jacks, Phone Jacks, USB ports, and Power Jacks. Effortlessly connect scanners, printers, MP3 Players, Digital Cameras, PDA's and more.

Quick and easy installation procedure. Simply install the PDCH (power data connectivity device) into a desk grommet hole with any size between 60mm (2-3/8") and 70mm (2-3/4").

Will work with AC 100~240V.

Below the desk, you will find a 6ft 1 X 1.83M grounded electrical power cord, one RJ45 metal housing shielded Ethernet (high Speed) Jack, one RJ11 phone Jack and one USB 2.0 Upstream Port (secondary).

Above the desk you will find 1 lighted On/Off switch with built in circuit breaker, two 110V (or 240V) electrical outlets, 1 RJ45 metal housing shielded Ethernet (high speed) jack, 1 RJ11 metal housing shielded phone jack, 1 USB 2.0 Upstream port (primary) and 4 USB 2.0 downstream port.

Other great features include: High speed USB 2.0 4 port Hub controller, Built-in power supply, safety 12v working voltage, supports 4 high speed downstream devices at 480Mbps.

The primary and secondary port can be utilized by computer. However, only the primary port will be recognized if both are connected at the same time. Once the primary port has been disconnected, the secondary port will become active.

Fully supports: Windows 98, Windows 2000, Windows ME, Windows XP and Mac OS, X.

The two power outlets are rated at 10A, 900 Joules. The maximum power consumption of outlets is up to 1200 watts. If the power line becomes overLOAded, the circuit breaker will be triggered and the power to the units will be cut off. If this happens, simply unplug the device then press the power switch OFF and then back ON to reset the circuit breaker.



BOTTOM

TOP



- Kitchens
- Doors
- Kitchen Accessories
- Hinges
- Drawer Slides
- Plywood Melamine
- Veneer Edgebanding
- Laminate
- Solid Surface
- Closets
- Furniture Hardware
- Pulls & Knobs
- Lighting
- Grommets
- Locks, Lock Systems
- Molding, Carvings
- Tools
- Adhesives Solvents Abrasives
- Chemicals Staples Screws