

LAZY SUSANS

Kitchens

Doors

Kitchen Accessories

Hinges

Drawer Slides

Plywood Melamine

Veneer Edgebanding

Laminate

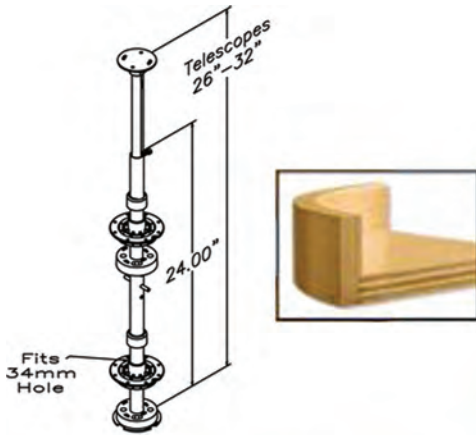
Solid Surface

Closets

Furniture Hardware

Pulls & Knobs

Lighting



Wood Kidney Shaped 2 Tray Set With Hardware

ORDER NUMBER	TRAY	MATERIAL
45-810	24" KIDNEY	WOOD
45-812	28" KIDNEY	WOOD
45-814	32" KIDNEY	WOOD

Post Adjustable from 26" to 32"

Wood Full Circle 2 Tray Set With Hardware

ORDER NUMBER	TRAY	MATERIAL
45-816	18"	WOOD
45-818	20"	WOOD
45-820	28"	WOOD
45-822	32"	WOOD

Post Adjustable from 26" to 32"

Wood Full Circle 3 Tray Set With Hardware

ORDER NUMBER	TRAY	MATERIAL
45-824	18"	WOOD

Post Adjustable from 34" to 40"

Select Series Susans

- The ultimate interior corner storage solution setting the industry standard for wood lazy susan shelves
- Constructed from 12mm thick shelf multi-directional maple plywood shell
- Wrapped with a high-impact 10 ply maple rim
- Patent pending pole hardware with positive locking pin and heavy duty polymer hub
- Bore and dowel butt joints; no finger joints
- Available in many sizes in full round, kidney or D shape
- All units protected with durable pre-catalyzed UV finish



Omega National
PRODUCTS

LAZY SUSANS

Polyurethane Full Circle 2 Tray Set With Hardware

ORDER NUMBER	DESCRIPTION
46-300	18" FULL ROUND WHITE LAZY SUSAN
46-302	20" FULL ROUND WHITE LAZY SUSAN
46-304	24" FULL ROUND WHITE LAZY SUSAN
46-306	28" FULL ROUND WHITE LAZY SUSAN
46-308	32" FULL ROUND WHITE LAZY SUSAN

Polyurethane - Post Adjustable from 28" to 30 1/2"



Polyurethane Half Moon 2 Tray Set With Hardware

ORDER NUMBER	DESCRIPTION
46-320	27" HALF MOON WHITE LAZY SUSAN

Post Adjustable from 26" to 32"



Polyurethane Pie Cut / Kidney Shaped 2 Tray Set With Hardware

ORDER NUMBER	DESCRIPTION
46-330	24" PIE-CUT WHITE LAZY SUSAN
46-332	28" PIE-CUT WHITE LAZY SUSAN
46-400	24" WHITE KIDNEY LAZY SUSAN
46-402	28" WHITE KIDNEY LAZY SUSAN
46-404	32" WHITE KIDNEY LAZY SUSAN

Post Adjustable from 28" to 33 1/2"



Kitchens

Doors

Kitchen
Accessories

Hinges

Drawer
Slides

Plywood
Melamine

Veneer
Edgebanding

Laminate

Solid
Surface

Closets

Furniture
Hardware

Pulls
&
Knobs

Lighting

Grommets

Locks,
Lock
Systems

Molding,
Carvings

Tools

Adhesives
Solvents
Abrasives

Chemicals
Staples
Screws

KITCHEN ACCESSORIES

LAZY SUSANS

VAUTH-SAGEL

Recorner Susan

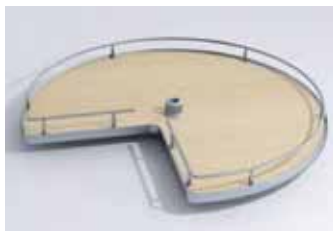
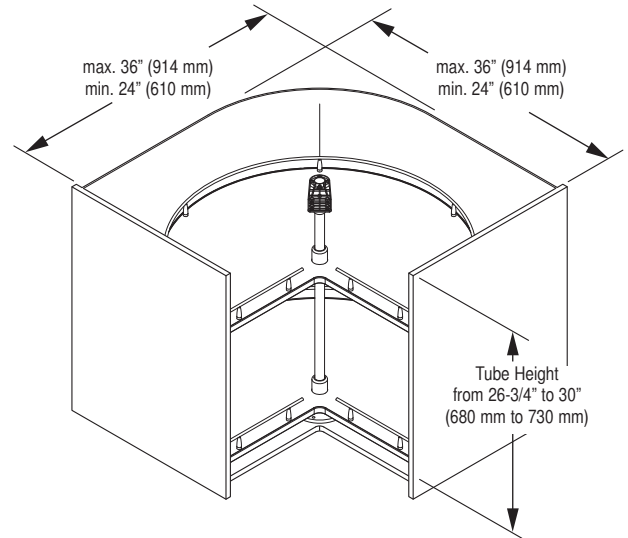
For corner cabinets with hinged doors.
The centre post is of aluminium. Independent shelf rotation.

Recorner Susan, specification details:

- Available for base and wall cabinets
- To be used with hinged doors
- Trays can be adjusted in height
- Load capacity per tray: 44 lbs. (20 kg)
- Center post height: 26-3/4" - 30" (680 - 730 mm)



Cabinet dimensions:



Item No.	Description	Trays/Baskets
9000 2525	Recorner Kidney 18" (460 mm)	maple/silver
9000 2526	Recorner Kidney 28" (720 mm)	maple/silver
9000 2527	Recorner Kidney 32" (820 mm)	maple/silver
9000 2520	Recorner Full round 18" (460 mm)	maple/silver
9000 3169	Recorner Full round 22" (560 mm)	maple/silver
9000 2521	Recorner Full round 28" (720 mm)	maple/silver
9000 2522	Recorner Full round 32" (820 mm)	maple/silver
9000 3170	Recorner D-shape 20-1/2" (520 mm)	maple/silver
9000 2528	Recorner Kidney 18" (460 mm)	wire/chrome
9000 0835	Recorner Kidney 28" (720 mm)	wire/chrome
9000 0837	Recorner Kidney 32" (820 mm)	wire/chrome
9000 2051	Recorner Full round 18" (460 mm)	wire/chrome
9000 0833	Recorner Full round 28" (720 mm)	wire/chrome
9000 0829	Recorner Full round 32" (820 mm)	wire/chrome

Packing: 1 set per box; consisting of all parts, including 2 trays with melamine maple base silver powder coated wire borders, or 2 wire baskets and mounting instructions.

KITCHEN ACCESSORIES

LAZY SUSANS



Recorner maxx®

Recorner maxx, the corner cabinet solution with a distinctly better use of storage space.

The new corner cabinet solution Recorner maxx® convinces by a fundamentally changed construction: there is no space limiting center post any more. The trays are mounted on a horizontal support arm. Optimal use of storage space for bulky accessories like bowls, trays, pots and pans etc. The hardware is virtually invisible.

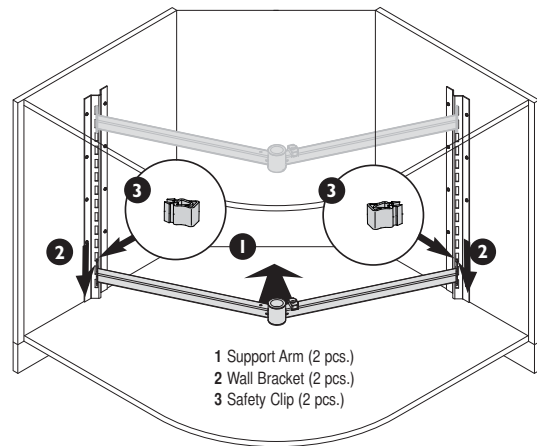
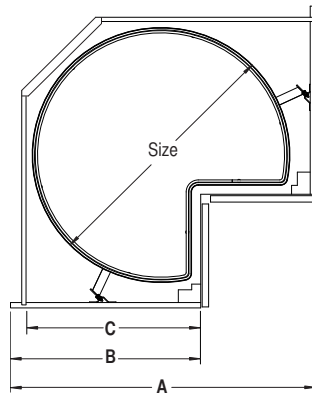
Recorner maxx Kidney, specification details:

- Tool-less height adjustment of the trays
- Can be used in base, pantry and wall cabinets
- Can be retrofitted into existing cabinets
- Load capacity: 62 lbs. (28 kg) per shelf 24-3/8" (620mm)
26.5 lbs. (12 kg) for size 18-7/8" (480 mm)
- Inside height min. 24-3/8" (620 mm)



Recorner maxx Kidney in a corner wall cabinet

Cabinet dimensions:



Kitchens

Doors

Kitchen Accessories

Hinges

Drawer Slides

Plywood Melamine

Veneer Edgebanding

Laminate

Solid Surface

Closets

Furniture Hardware

Pulls & Knobs

Lighting

Grommets

Locks, Lock Systems

Molding, Carvings

Tools

Adhesives Solvents Abrasives

Chemicals Staples Screws

Item No.	Size	A	B From To	C Min. Depth
9000 4102	Ø 18-7/8" (480 mm)	23-5/8" (600 mm)	12-1/4" - 13-3/4" (310 - 350 mm)	11-5/8" (295 mm)
9000 4100	Ø 26-3/4" (680 mm)	31-1/2" (800 mm)	21-1/4" - 24" (540 - 610 mm)	19-2/8" (505 mm)
9000 4098	Ø 30" (760 mm)	35-1/2" (900 mm)	21-1/4" - 24" (540 - 610 mm)	19-2/8" (505 mm)

Packing: 1 set; consisting of 2 trays, 2 support arms, 2 wall brackets and mounting instructions.

*SPECIAL ORDER ITEMS ~ PLEASE SEE ONE OF OUR KNOWLEDGEABLE SALES STAFF

KITCHEN ACCESSORIES

LAZY SUSANS SYSTEM BASKET

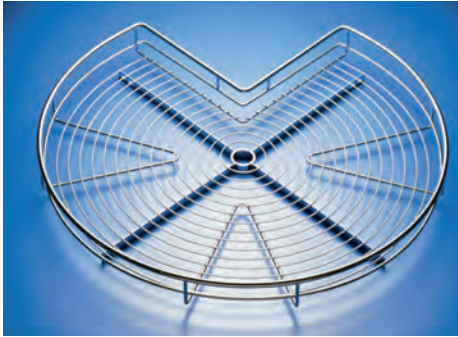
Kitchens

Doors

Kitchen Accessories

Hinges

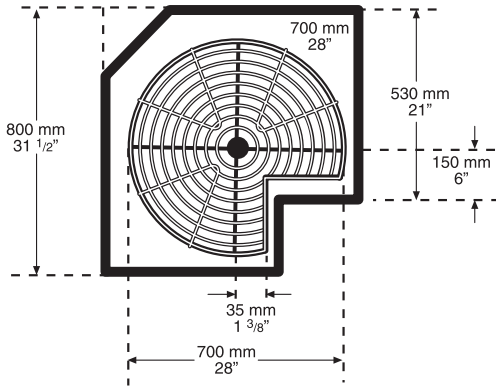
Drawer Slides



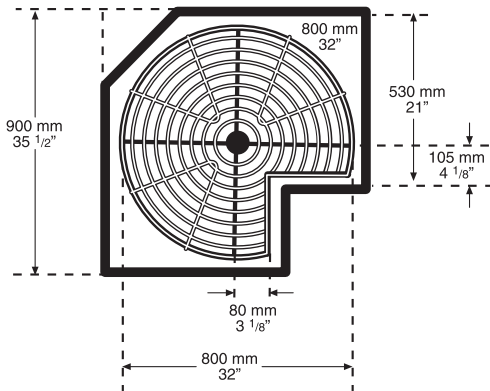
PIE CUT LAZY SUSAN 270° FOR BASE CABINETS

Item Number	Finish	Size
45-144	CHROME	28" DIA.
45-146	CHROME	32" DIA.

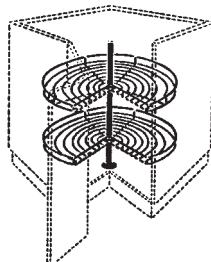
PART NO. 45-144



PART NO. 45-146



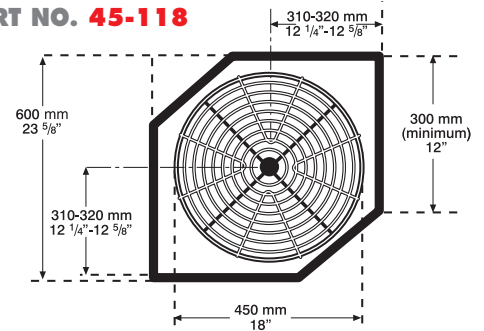
- 1 POST ADJUSTABLE FROM 27" TO 31-1/2" WITH SETS OF PLASTIC FIXING SUPPORTS.
- 2 HEAVY GAUGE CHROME WIRE BASKETS.
- HARDWARE ALLOWS FOR INDEPENDENT BASKET ROTATION.
- LOCATING DEVICE FOR BASKET POSITION. EASY MOUNTING WITH SCREWS.



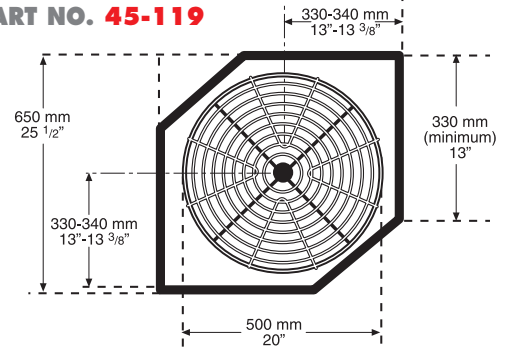
ROUND LAZY SUSAN

Item Number	Finish	Size
45-118	CHROME	18" DIA.
45-119	CHROME	20" DIA.
45-121	CHROME	30" DIA.

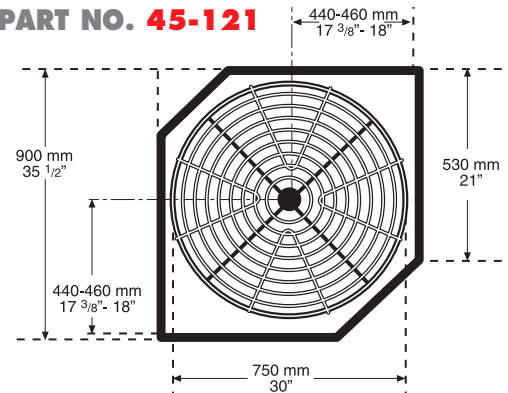
PART NO. 45-118



PART NO. 45-119



PART NO. 45-121



Chrome Pantry Pull-Out System

Kitchens

Doors

Kitchen
Accessories

Hinges

Drawer
Slides

Plywood
Melamine

Veneer
Edgebanding

Laminate

Solid
Surface

Closets

Furniture
Hardware

Pulls
&
Knobs

Lighting

Grommets

Locks,
Lock
Systems

Molding,
Carvings

Tools

Adhesives
Solvents
Abrasives

Chemicals
Staples
Screws



THIS HEXA ACTION PULL OUT SYSTEM OFFERS THE ULTIMATE SPACE SOLUTION TOWARD MAXIMIZING THE CULINARY NEEDS IN THE MOST ELEGANT MANNER.

INCLUDES:

- 2 SWIVEL
- 4 PCS. UPRIGHTS
- 2 PCS. EXTENSION FRAME
- 10 MEDIUM SIZE BASKETS
12" W X 3" D X 3" H
- 20 LARGE SIZE BASKETS
14 3/8" W X 8" D X 3 1/2" H

PART NO. 45-146

INSIDE DIMENSIONS:

Order Number	Min. Width	Min. Height	Min. Depth
45-716	33-7/8"	50"	20"



MATERIAL FINISH:

- FRAME: STEEL WITH SILVER EPOXY
- BASKETS: STEEL CHROME PLATED

Chrome Will Add Elegance and Profit to Your Kitchens

Pull-Out Pantry Systems

Kitchens

Single Action Pull Out

Doors

Single Action Unit Internal Height 72 3/4"

Item No.	Content	Body Size (W x D x H)	Material & Finish	For Internal Carcase Width
45-715	1 set - 7 inner baskets, 7 door baskets	16 1/2" x 20" x 72 3/4"	Steel with chrome plating	18" min.

Hinges

Drawer
Slides

Plywood
Melamine

Veneer
Edgebanding

Basket for Single Action Unit

Body Size (W x D x H)	Material & Finish	Position
11 3/4" x 3" x 3"	Steel with chrome plating	Door basket
14 1/2" x 13 1/2" x 3 1/3"	Steel with chrome plating	Inner basket

Laminate

Solid
Surface

Closets

Furniture
Hardware

Pulls
&
Knobs

Lighting

Grommets

Locks,
Lock
Systems

Molding,
Carvings

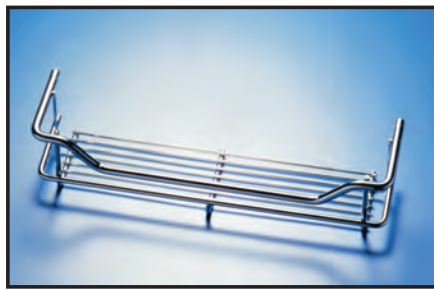
Tools

Adhesives
Solvents
Abrasives

Chemicals
Staples
Screws

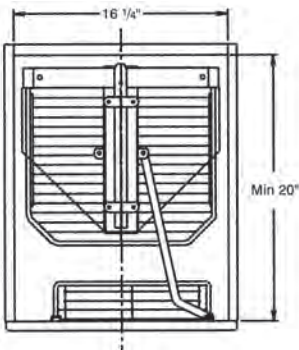


Inner Basket

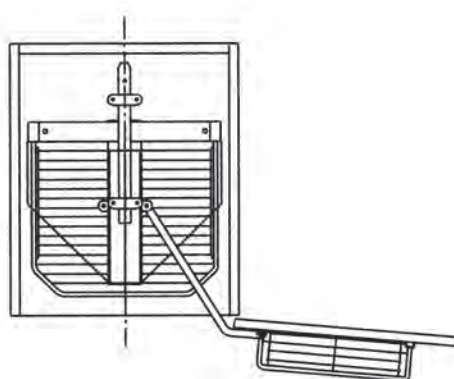


Door Basket

BASKETS NOT SOLD INDIVIDUALLY



Closed Door



Open Door



18" CABINET

KITCHEN ACCESSORIES

The system is designed on 450 lbs. slides system for a quiet glide out function.

Chrome Plated Pull-Out Pantry

FINISH: STEEL WITH SILVER EPOXY

EXTENSION LENGTH: 17 3/4"

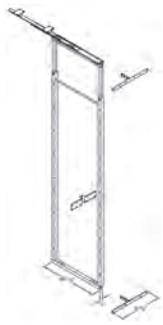
LENGTH: 18 7/8"

LOADING CAPACITY: 220 LBS.

Adjustable Frames for Pantry Pull-Out

(Minimum cabinet width is 12")

Order Number	Body Size (W x D x H)	Material & Finish	For External Carcase Height
45-712	9-7/8" x 19-1/4" x 77-3/8" - 86-5/8"	Steel with silver epoxy	79" - 86-1/2"
45-714	9-7/8" x 19-1/4" x 69-1/2" - 78-3/4"	Steel with silver epoxy	69" - 79"
45-724	9-7/8" x 19-1/4" x 61-1/2" - 70-7/8"	Steel with silver epoxy	63" - 71"
45-735	9-7/8" x 19-1/4" x 49-3/4" - 59"	Steel with silver epoxy	51" - 59"



**HEAVY GAUGE
CHROME BASKET**



5 Baskets per carton.

Basket for Tall Unit

Order Number	Body Size (W x D x H)	Material & Finish	External Carcase Width
45-736	10" x 18-1/2" x 3-1/2"	Steel with chrome plating	11-7/8"
45-738	13-1/2" x 18-1/2" x 3-1/2"	Steel with chrome plating	15-3/4"
45-740	15-1/2" x 18-1/2" x 3-1/2"	Steel with chrome plating	17-3/4"
45-742	17-1/2" x 18-1/2" x 3-1/2"	Steel with chrome plating	19-5/8"
45-744	19-1/2" x 18-1/2" x 3-1/2"	Steel with chrome plating	21-5/8"

**EXTRA HEAVY DUTY
RUNNER**
2-1/2" Height



Runner for Tall Unit

Order Number	Body Size (W x D x H)	Material & Finish	Extension Length	Load Capacity	External Case Width
45-718	16-1/2" x 20" x 72-3/4"	Steel with silver epoxy	17"	220 lbs.	11-7/8"



Kitchens

Doors

Kitchen
Accessories

Hinges

Drawer
Slides

Plywood
Melamine

Veneer
Edgebanding

Laminate

Solid
Surface

Closets

Furniture
Hardware

Pulls
&
Knobs

Lighting

Grommets

Locks,
Lock
Systems

Molding,
Carvings

Tools

Adhesives
Solvents
Abrasives

Chemicals
Staples
Screws

Pull-Out Pantry Systems

Kitchens

Doors

Kitchen
Accessories



VAUTH-SAGEL

HSA Pull-Out

Hinges The full pull-out pantry unit with elegant and uniform design which allows access to the contents of every basket. Rails: Further improved operating due to new roller bearing, automatic closing and enhanced profile geometry.

Drawer Slides

Plywood Melamine Installation: Easyfit, Click system for assembling the frame on the lower and upper slides. Synchronic end caps up and down are guaranteed. Optimized damping.

Veneer Edgebanding

Laminate

Solid
Surface

Closets

Furniture
Hardware

Pulls
&
Knobs

Lighting

Grommets

Locks,
Lock
Systems

Molding,
Carvings

Tools

Adhesives
Solvents
Abrasives

Chemicals
Staples
Screws



Saphir, chrome plated baskets



Pull-Out Pantry Systems



HSA pull-out, specification details:

- Tool-less assembly of the frame onto the slide
- Available frame heights from 25-1/2" to 91-3/4" (650 to 2330 mm)
- Installation depth of 22-1/2" (575 mm)
- Stabilizing of the front by front strips
- 3 way front adjustment
- Height-adjustable basket assembly
- Full-extension slides with soft-closing system
- High performance slides for a total load capacity of 265 lbs. (120 kg)



Scalea, maple melamine base, silver powder coated baskets

Kitchens

Doors

Kitchen
Accessories

Hinges

Drawer
Slides

Plywood
Melamine

Veneer
Edgebanding

Laminate

Solid
Surface

Closets

Furniture
Hardware

Pulls
&
Knobs

Lighting

Grommets

Locks,
Lock
Systems

Molding,
Carvings

Tools

Adhesives
Solvents
Abrasives

Chemicals
Staples
Screws

KITCHEN ACCESSORIES

Pull-Out Pantry Systems

Kitchens

Doors

Kitchen Accessories

Hinges

Drawer Slides

Plywood Melamine

Veneer Edgebanding

Laminate

Solid Surface

Closets

Furniture Hardware

Pulls & Knobs

Lighting

Grommets

Locks, Lock Systems

Molding, Carvings

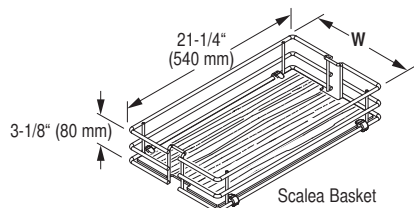
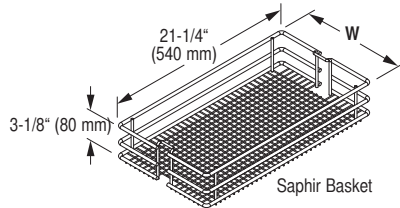
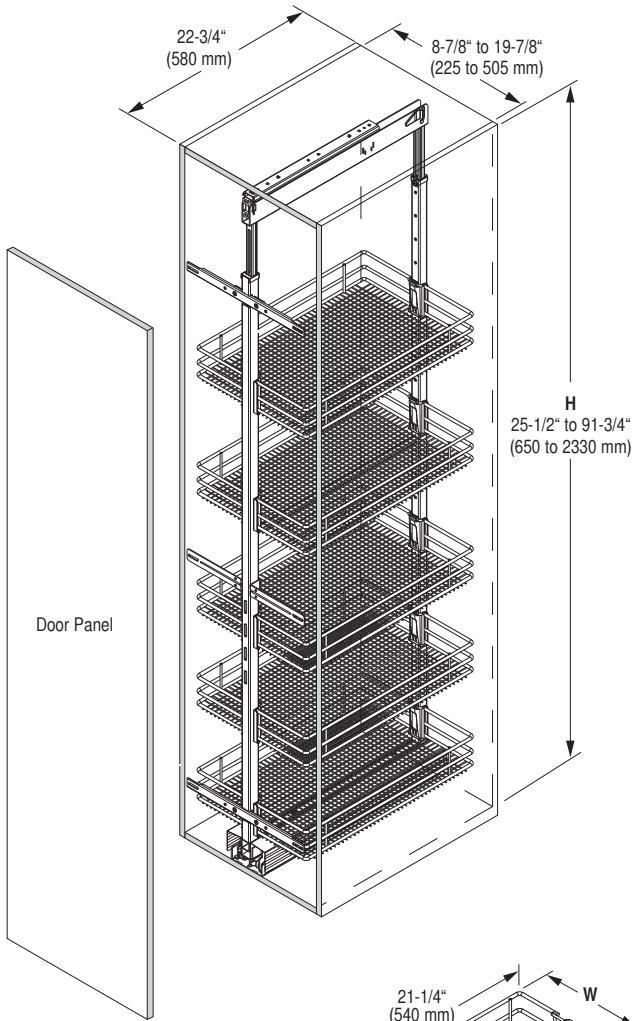
Tools

Adhesives Solvents Abrasives

Chemicals Staples Screws

VAUTH-SAGEL

Cabinet dimensions:



Order parts here individually or sets on next page:

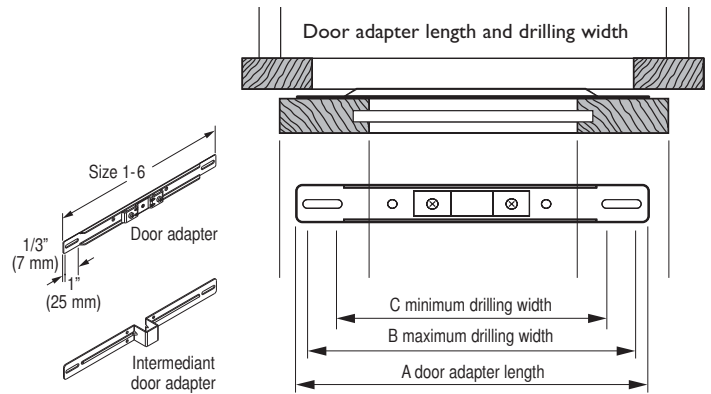
1. Select HSA frame, 2. Add door adapters, 3. Select basket set

HSA pull-out frame, including top and bottom slide, silver.

Item No.	HSA	Inside Cabinet Height: H from min. to max.	Recommended Number of Baskets
9000 2514	1	25-1/2" - 37-1/2" (650 mm - 950 mm)	2
9000 2172	2	37-1/2" - 47-1/4" (950 mm - 1200 mm)	3
9000 2173	3	47-1/4" - 57" (1200 mm - 1450 mm)	4
9000 2174	4	57" - 67" (1450 mm - 1700 mm)	4
9000 2175	5	67" - 76-3/4" (1700 mm - 1950 mm)	5
9000 2176	6	74-3/4" - 91-3/4" (1900 mm - 2330 mm)	5

Packing: 1 set per box

Basket Set Saphir chrome Item No.	Basket Set Scalea maple/silver Item No.	Min. Opening Cabinet Width	Basket Width: W	Set Packing Number of Baskets
9000 2152	9000 2162	8-7/8" (225 mm)	8-1/4" (210 mm)	2
9000 2153	9000 2163	8-7/8" (225 mm)	8-1/4" (210 mm)	3
9000 2154	9000 2164	11-5/8" (295 mm)	11" (280 mm)	2
9000 2155	9000 2165	11-5/8" (295 mm)	11" (280 mm)	3
9000 2156	9000 2166	14-3/8" (365 mm)	13-3/4" (350 mm)	2
9000 2157	9000 2167	14-3/8" (365 mm)	13-3/4" (350 mm)	3
9000 2158	9000 2168	17-1/8" (435 mm)	16-1/2" (420 mm)	2
9000 2159	9000 2169	17-1/8" (435 mm)	16-1/2" (420 mm)	3
9000 2160	9000 2170	19-7/8" (505 mm)	19-1/4" (490 mm)	2
9000 2161	9000 2171	19-7/8" (505 mm)	19-1/4" (490 mm)	3



Size	A	B	C
1	8-1/2" (216 mm)	8" (202 mm)	6" (152 mm)
2	11-1/2" (292 mm)	11" (278 mm)	9" (228 mm)
3	14-1/2" (368 mm)	14" (354 mm)	12" (304 mm)
4	17-1/2" (444 mm)	16-7/8" (430 mm)	15" (380 mm)
5	20-1/2" (520 mm)	19-7/8" (506 mm)	18" (456 mm)
6	21-1/2" (545 mm)	20-7/8" (531 mm)	19" (481 mm)

Standard Door Adapter Packing 2 pcs. Item No.	*Intermediate Door Adapter Packing 1 pc. Item No.	Door Adapters Size	in. (mm)
9000 2177	9000 2183	1	8-1/2" (216 mm)
9000 2178	9000 2214	2	11-1/2" (292 mm)
9000 2179	9000 2215	3	14-1/2" (368 mm)
9000 2180	9000 2216	4	17-1/2" (444 mm)
9000 2181	9000 2217	5	20-1/2" (520 mm)
9000 2182	9000 2218	6	21-1/2" (545 mm)

* Recommended for HSA 4, 5 and 6

Pull-Out Pantry Systems



HSA complete sets in **Saphir** (chrome plated) or **Scalea** (silver powder coated with maple laminate basket bases)

Complete sets include pantry pull-out frame, top and bottom slide, baskets, door adapters and instructions.

HSA	Inside Cabinet Height	Basket Width	Saphir chrome Basket Set	Scalea maple/silver Basket Set	No. of Baskets	Consisting of: (qty. x item no. 9000____) of previous page, numbers in brackets = Scalea maple/silver Baskets
HSA 2-08	37-1/2" - 47-1/4" (950 mm - 1200 mm)	8-1/4" (210 mm)	9000 2172 210	9000 2172 210S	3	1 x 2172, 1 x 2153 (2163), 1 x 2177
HSA 3-08	47-1/4" - 57" (1200 mm - 1450 mm)	8-1/4" (210 mm)	9000 2173 210	9000 2173 210S	4	1 x 2173, 2 x 2152 (2162), 1 x 2177
HSA 4-08	57" - 67" (1450 mm - 1700 mm)	8-1/4" (210 mm)	9000 2174 210	9000 2174 210S	4	1 x 2174, 2 x 2152 (2162), 1 x 2177, 1 x 2183
HSA 5-08	67" - 76-3/4" (1700 mm - 1950 mm)	8-1/4" (210 mm)	9000 2175 210	9000 2175 210S	5	1 x 2175, 1 x 2152 (2162), 1 x 2153 (2163), 1 x 2177, 1 x 2183
HSA 6-08	74-3/4" - 91-3/4" (1900 mm - 2330 mm)	8-1/4" (210 mm)	9000 2176 210	9000 2176 210S	5	1 x 2176, 1 x 2152 (2162), 1 x 2153 (2163), 1 x 2177, 1 x 2183
HSA 2-11	37-1/2" - 47-1/4" (950 mm - 1200 mm)	11" (280 mm)	9000 2172 280	9000 2172 280S	3	1 x 2172, 1 x 2155 (2165), 1 x 2178
HSA 3-11	47-1/4" - 57" (1200 mm - 1450 mm)	11" (280 mm)	9000 2173 280	9000 2173 280S	4	1 x 2173, 2 x 2154 (2164), 1 x 2178
HSA 4-11	57" - 67" (1450 mm - 1700 mm)	11" (280 mm)	9000 2174 280	9000 2174 280S	4	1 x 2174, 2 x 2154 (2164), 1 x 2178, 1 x 2214
HSA 5-11	67" - 76-3/4" (1700 mm - 1950 mm)	11" (280 mm)	9000 2175 280	9000 2175 280S	5	1 x 2175, 1 x 2154 (2164), 1 x 2155 (2165), 1 x 2178, 1 x 2214
HSA 6-11	74-3/4" - 91-3/4" (1900 mm - 2330 mm)	11" (280 mm)	9000 2176 280	9000 2176 280S	5	1 x 2176, 1 x 2154 (2164), 1 x 2155 (2165), 1 x 2178, 1 x 2214
HSA 2-14	37-1/2" - 47-1/4" (950 mm - 1200 mm)	13-3/4" (350 mm)	9000 2172 350	9000 2172 350S	3	1 x 2172, 1 x 2157 (2167), 1 x 2179
HSA 3-14	47-1/4" - 57" (1200 mm - 1450 mm)	13-3/4" (350 mm)	9000 2173 350	9000 2173 350S	4	1 x 2173, 2 x 2156 (2166), 1 x 2179
HSA 4-14	57" - 67" (1450 mm - 1700 mm)	13-3/4" (350 mm)	9000 2174 350	9000 2174 350S	4	1 x 2174, 2 x 2156 (2166), 1 x 2179, 1 x 2215
HSA 5-14	67" - 76-3/4" (1700 mm - 1950 mm)	13-3/4" (350 mm)	9000 2175 350	9000 2175 350S	5	1 x 2175, 1 x 2156 (2166), 1 x 2157 (2167), 1 x 2179, 1 x 2215
HSA 6-14	74-3/4" - 91-3/4" (1900 mm - 2330 mm)	13-3/4" (350 mm)	9000 2176 350	9000 2176 350S	5	1 x 2176, 1 x 2156 (2166), 1 x 2157 (2167), 1 x 2179, 1 x 2215
HSA 2-17	37-1/2" - 47-1/4" (950 mm - 1200 mm)	16-1/2" (420 mm)	9000 2172 420	9000 2172 420S	3	1 x 2172, 1 x 2159 (2169), 1 x 2180
HSA 3-17	47-1/4" - 57" (1200 mm - 1450 mm)	16-1/2" (420 mm)	9000 2173 420	9000 2173 420S	4	1 x 2173, 2 x 2158 (2168), 1 x 2180
HSA 4-17	57" - 67" (1450 mm - 1700 mm)	16-1/2" (420 mm)	9000 2174 420	9000 2174 420S	4	1 x 2174, 2 x 2158 (2168), 1 x 2180, 1 x 2216
HSA 5-17	67" - 76-3/4" (1700 mm - 1950 mm)	16-1/2" (420 mm)	9000 2175 420	9000 2175 420S	5	1 x 2175, 1 x 2158 (2168), 1 x 2159 (2169), 1 x 2180, 1 x 2216
HSA 6-17	74-3/4" - 91-3/4" (1900 mm - 2330 mm)	16-1/2" (420 mm)	9000 2176 420	9000 2176 420S	5	1 x 2176, 1 x 2158 (2168), 1 x 2159 (2169), 1 x 2180, 1 x 2216
HSA 2-19	37-1/2" - 47-1/4" (950 mm - 1200 mm)	19-1/4" (490 mm)	9000 2172 490	9000 2172 490S	3	1 x 2172, 1 x 2161 (2171), 1 x 2181
HSA 3-19	47-1/4" - 57" (1200 mm - 1450 mm)	19-1/4" (490 mm)	9000 2173 490	9000 2173 490S	4	1 x 2173, 2 x 2160 (2170), 1 x 2181
HSA 4-19	57" - 67" (1450 mm - 1700 mm)	19-1/4" (490 mm)	9000 2174 490	9000 2174 490S	4	1 x 2174, 2 x 2160 (2170), 1 x 2181, 1 x 2217
HSA 5-19	67" - 76-3/4" (1700 mm - 1950 mm)	19-1/4" (490 mm)	9000 2175 490	9000 2175 490S	5	1 x 2175, 1 x 2160 (2170), 1 x 2161 (2171), 1 x 2181, 1 x 2217
HSA 6-19	74-3/4" - 91-3/4" (1900 mm - 2330 mm)	19-1/4" (490 mm)	9000 2176 490	9000 2176 490S	5	1 x 2176, 1 x 2160 (2170), 1 x 2161 (2171), 1 x 2181, 1 x 2217

Kitchens

Doors

Kitchen Accessories

Hinges

Drawer Slides

Plywood Melamine

Veneer Edgebanding

Laminate

Solid Surface

Closets

Furniture Hardware

Pulls & Knobs

Lighting

Grommets

Locks, Lock Systems

Molding, Carvings

Tools

Adhesives Solvents Abrasives

Chemicals Staples Screws

KITCHEN ACCESSORIES

Tri-Action Pull-Out System

Kitchens

Minimum Door Opening Is 16"
Baskets Will Project Out 3/4" When The Unit Is Pushed To The Left Or Right Depending On The Blind Side.

Doors

INCLUDES:

- 2 Medium Baskets
16-7/8" D X 11-1/4" W X 4" H
- 2 Large Baskets
17-7/8" D X 12-1/8" W X 4" H
- Upper Frame Measurements:
20" H X 18" D X 2-1/4" W
- Bottom Frame Measurements:
24-3/8" W X 14-1/2" D X 1-7/8"
- For Carcase Size:
29-1/2" W X 21-5/8" D X 27-5/8" H

Order Number:
45-719



BASKETS WILL PROJECT 3/4" FROM THE FRONT EDGE OF CABINET

Kitchen Accessories

Hinges

Drawer Slides

Plywood Melamine

Veneer Edgebanding

Laminate

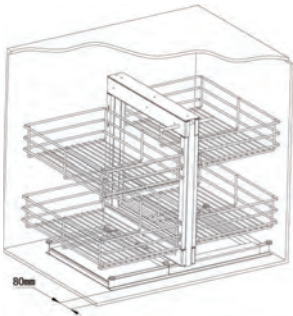
Solid Surface

Closets

Furniture Hardware

Pulls & Knobs

Lighting



Blind Base Corner System

Grommets

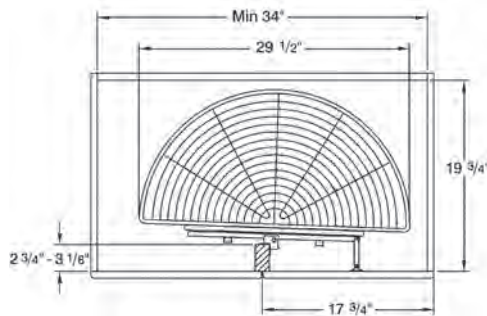
Locks, Lock Systems

Molding, Carvings

Tools

Adhesives Solvents Abrasives

Chemicals Staples Screws



Half Round Slide-Out



Includes:

- 2 Slide out half-circle baskets; 29-1/2"
- Rack and assembly fittings
- 1 Door basket holder (follower)

Required Dimensions:

Minimum inside dimensions, 34" x 21"

Half Round Slide Out Corner System

Item No.	Content	Body Size (diameter)	Material & Finish (basket)	For External Door Width
45-732	2 Baskets, Pole, Hardware	29 3/4"	Steel with chrome plating	18"

KITCHEN ACCESSORIES

Deluxe Chrome Drawer Pull-Out



Deluxe Chrome Drawer Pull-Out

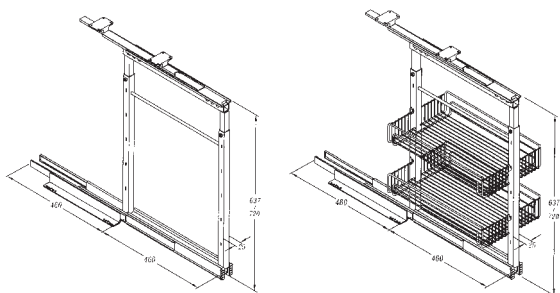
Order Number	Basket Size (W x D x H)	Thickness of End Panel	Exterior Carcase
45-790	8" x 18-1/8" x 3-1/8"	5/8" or 3/4"	12"
45-792	11" x 18-1/8" x 3-1/8"	5/8" or 3/4"	15"
45-794	14" x 18-1/8" x 3-1/8"	5/8" or 3/4"	18"
45-798	20" x 18-1/8" x 3-1/8"	5/8" or 3/4"	24"
45-800	23" x 18-1/8" x 3-1/8"	5/8" or 3/4"	27"

Deluxe Chrome Short Unit Pull-Out



Basket for Short Unit

Order Number	Body Size (W x D x H)	Material & Finish	Minimum Carcase Width
45-736	10" x 18-1/2" x 3-1/2"	Steel with chrome plating	11 7/8"
45-738	13-1/2" x 18-1/2" x 3-1/2"	Steel with chrome plating	15 3/4"
45-740	15-1/2" x 18-1/2" x 3-1/2"	Steel with chrome plating	17 3/4"
45-742	17-1/2" x 18-1/2" x 3-1/2"	Steel with chrome plating	19 5/8"
45-744	19-1/2" x 18-1/2" x 3-1/2"	Steel with chrome plating	21 5/8"



Adjustable Frame for Short Unit

Order Number	Body Size (W x D x H)	Material & Finish	For External Carcase Height
45-809	1" x 18-1/2" x 25-1/4" - 28-3/8"	Steel with silver epoxy	26-3/4" - 30"

Kitchens

Doors

Kitchen Accessories

Hinges

Drawer Slides

Plywood Melamine

Veneer Edgebanding

Laminate

Solid Surface

Closets

Furniture Hardware

Pulls & Knobs

Lighting

Grommets

Locks, Lock Systems

Molding, Carvings

Tools

Adhesives Solvents Abrasives

Chemicals Staples Screws

Corner Pull-Out

Kitchens

Doors

Kitchen Accessories

VAUTH-SAGEL

Wari corner®

Hinges

Wari corner, an optimized version among the classic blind corner cabinets.

Drawer Slides

Due to its user-friendly movement the corner cabinet Wari corner is easily accessible when opened. Thanks to its fronts with integrated 3-way adjustment and central height alignment, the Wari corner can be adjusted perfectly. When opening the cabinet door, the front baskets swing sideward automatically enabling free access to the rear baskets. The newly integrated damping system guarantees a silent and smooth closing of the mechanism.

Plywood Melamine

Veneer Edgebanding

Wari corner, specification details:

- Available in 3 sizes
- Easy assembly of fronts with central height adjustment
- Independent width door mount bracket
- Optimized self and soft close system
- Height adjustable storage elements
- Toolless door attachment
- Inside height min. 20-7/8" (530 mm)
- Load capacity: Door basket 17,6 lbs. (8 kg), cabinet basket 21 lbs. (9,5 kg)

Laminate

Solid Surface

Closets

Furniture Hardware

Pulls & Knobs

Lighting



Scalea maple silver baskets, right hand installation

Grommets

Locks, Lock Systems

Molding, Carvings

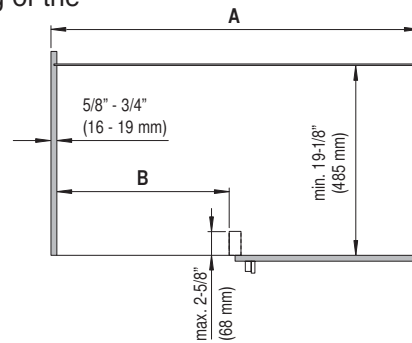
Tools

Adhesives Solvents Abrasives

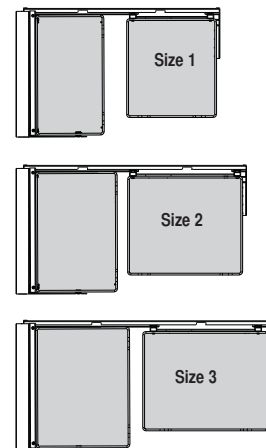
Chemicals Staples Screws



Saphir baskets chrome, left hand installation



Size	door width	A	B
1	15-3/4" - 17-3/4" (400 - 450 mm)	31-1/2" (800 mm)	14-1/2" - 16-1/2" (361 - 418 mm)
2	17-3/4" - 23-1/2" (450 - 600 mm)	35-1/2" (900 mm)	16-1/8" - 22-3/8" (411 - 568 mm)
3	19-5/8" - 23-1/2" (500 - 600 mm)	39-3/8" (1000 mm)	18-1/8" - 22-3/8" (411 - 568 mm)



Item No. Left	Item No. Right	Size	Basket
9000 4165	9000 4164	1	Saphir chrome
9000 4169	9000 4168	1	Scalea maple silver
9000 3891	9000 3890	2	Saphir chrome
9000 4105	9000 4104	2	Scalea maple silver
9000 4167	9000 4166	3	Saphir chrome
9000 4171	9000 4170	3	Scalea maple silver

KITCHEN ACCESSORIES



LAZY SUSANS



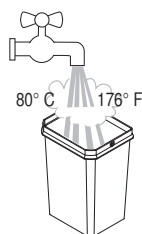
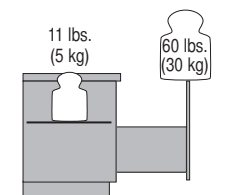
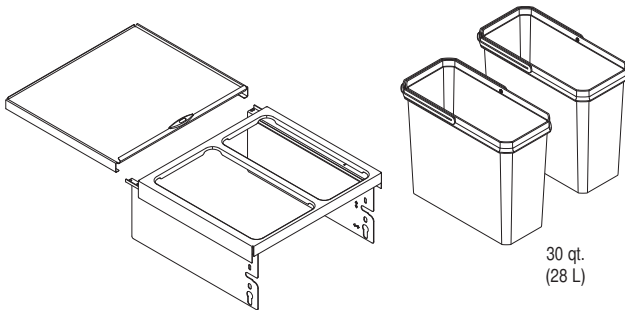
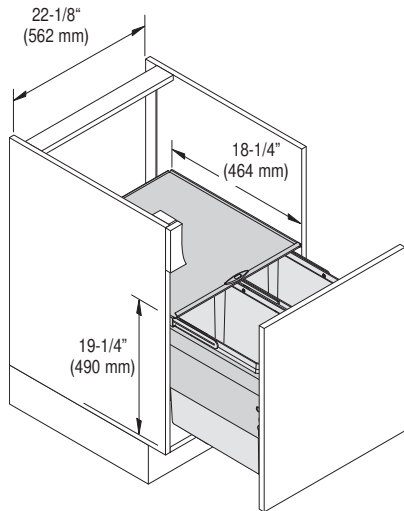
Öko liner

The smart solution for waste disposal and recycling. The Öko liner is a front pull-out system. Cleanliness and hygiene are at top priority: The containers are made of high-quality polymer with an extra smooth and easy to clean surface.

Öko liner, specification details:

- For 24" frameless cabinets with a min opening of 22-1/8" (562 mm)
- Toolless frame to slide assembly
- Fast installation with drilling template for slides and door mount brackets
- Extendable, double silver powder coated metal cover with protective enamel for additional storage space
- Frame silver powder coated
- Integrated 3-way front adjustment by eccentric tappets
- Mounting template and instructions are included
- Capacity of 60 qt. (56 liters)
- Full extension under mount slide with soft close system

Cabinet dimensions:



Item No.	Description	Packing
9000 3697	Öko liner 24" (600 mm) Maxi including 2 x 30 qt. (28 liter) bins	1 set



Kitchens

Doors

Kitchen Accessories

Hinges

Drawer Slides

Plywood Melamine

Veneer Edgebanding

Laminate

Solid Surface

Closets

Furniture Hardware

Pulls & Knobs

Lighting

Grommets

Locks, Lock Systems

Molding, Carvings

Tools

Adhesives Solvents Abrasives

Chemicals Staples Screws

KITCHEN ACCESSORIES

Recycling Center



Omega National
P R O D U C T S



Kitchens

- Grade-A maple veneer faced plywood frame
- 8405 ball bearing slides ensure long-term durability, easy cleaning and smooth operation
- Double designed for 18" base cabinets
- Single designed for 15" base cabinets and features rear slot for bag storage
- Both units are fully adjustable and include our unique vanity panel
- Features 35 quart Rubbermaid™ receptacles
- Includes rear sockets and 6 way adjustable door brackets

Doors

Kitchen Accessories

Hinges

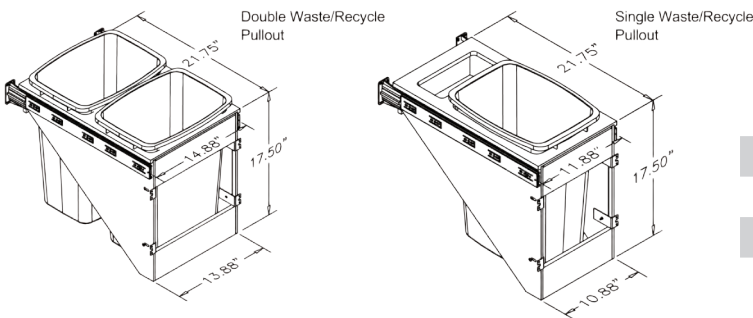
Drawer Slides

Plywood Melamine

Veneer Edgebanding

Laminate

Solid Surface



ORDER NUMBER

DESCRIPTION

46-212

Double Waste/Recycle

46-214

Single Waste/Recycle

OMEGA Waste & Recycle Pullout

Closets

ORDER NUMBER

DESCRIPTION

46-200

FULL EXTENSION WASTEBASKET 20"DX20"HX10 1/4W

Furniture Hardware

46-202

SMALL BIN FOR 46-200 9.5"WX9.5"DX18"H

46-204

LARGE WHITE BIN 37 QT 19"WX9.5"DX18"H

Pulls & Knobs

46-206

LARGE WASTEBASKET 20"HX20"DX22"W

46-208

GREEN SMALL BIN

Lighting

46-210

LARGE GREEN BIN

*** Note: Waste Basket Frame and Bins Sold Separately ***



Grommets

SMALL

Locks, Lock Systems

- Minimum interior cabinet dimensions: 10 1/2" (width), 20" (depth and height)
- 260mm (width), 510 mm (depth and height)
- Fully retractable metal ball bearing slides

Molding, Carvings

- For use with either 2 small Recycling Bins or 1 Large Recycling Bin
- Can be mounted to cabinet door for Pull-out door cabinet models, or affixed to cabinet bottom for manual retraction with cabinet doors that swing open.

Tools

- Chrome finish
- Installation screws included

Adhesives Solvents Abrasives

LARGE

Chemicals Staples Screws

- Minimum interior cabinet dimensions: 22" (width), 20" (depth and height)
- 560mm (width), 510mm (depth and height)
- Fully retractable metal ball bearing slides
- For use with 2 large bins, 4 small bins or 1 large and 2 small
- Can be mounted to cabinet door for Pull-out door cabinet models, or affixed to cabinet bottom for manual retraction with cabinet doors that swing open.
- Chrome finish
- Installation screws included



Double Pullout Waste Container



The New Soft Close Double Trash Can Pull Out is available from Hardware Imagination-Tech. It features two trash cans with covers, soft close full extension slides and door mount hardware. With a LOAD capacity of 55 lbs.

Kitchens

Doors

Kitchen Accessories

Hinges

Drawer Slides

Plywood Melamine

Veneer Edgebanding

Laminate

Solid Surface

Closets

Furniture Hardware

Pulls & Knobs

Lighting

Grommets

Locks, Lock Systems

Molding, Carvings

Tools

Adhesives Solvents Abrasives

Chemicals Staples Screws

Double Trash Can Pull Out 2 X 31 Liter
18 Inch Cabinet Outside Width

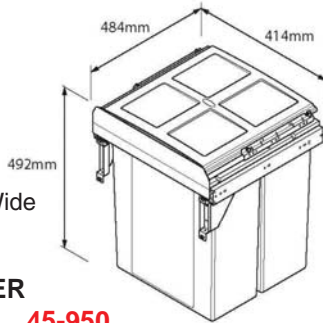
- With Dust Cover
- Soft Close
- Door Mount

Capacity:
2 x 31L

- Suitable For 18"/450mm Wide Cabinet
- Door Mounted

ORDER NUMBER

18" Width.....**45-950**



Double Trash Can Pull Out 2 X 45 Liter
24 Inch Cabinet Outside Width

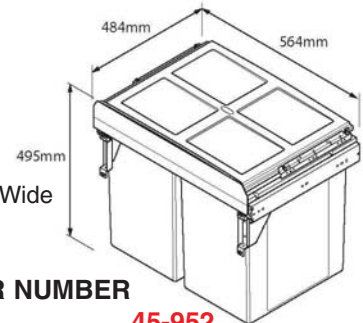
- With Dust Cover
- Soft Close
- Door Mount

Capacity:
2 x 45L

- Suitable For 24"/600mm Wide Cabinet
- Door Mounted

ORDER NUMBER

24" Width.....**45-952**



- 36 Qt. Heavy Duty Waste Basket
- Full Extension Ball Bearing Slides

- Heavy Duty Waste 36 Qt Container
- 21" Depth X 15" Wide x 19" High

ORDER NUMBER 45-956

Single Pullout Waste Container



- 36 Qt. Heavy Duty Waste Container
- 17-3/4" Depth X 10-1/2" Wide x 21-3/8" High
- Full Extension Ball Bearing Slides

ORDER NUMBER 45-954

KITCHEN ACCESSORIES

Sink Front Trays



Kitchens

	ORDER NUMBER	DESCRIPTION
Doors	46-250	11" SINK FRONT TRAY KIT
	46-254	14" SINK FRONT TRAY KIT
Kitchen Accessories	46-256	36" SINK FRONT TRAY KIT
	46-258	72" WHITE TRIMMABLE SINK FRONT TRAY
	46-260	72" MAPLE TRIMMABLE SINK FRONT TRAY
Hinges	46-262	WHITE END CAP FOR 46-258 (Pair)
	46-264	MAPLE END CAPS FOR 46-260 (Pair)
Drawer Slides	46-266	HINGES FOR 46-258 & 46-260



Plywood
Melamine

- Durable Polystyrene
- Kit Includes 2 Tipout Trays, 2 Sets Of Hinges And 2 Ring Hooks
- Installation Screws And Instruction Sheet Included

Veneer
Edgebanding

Laminate

Solid
Surface

Omega Hood Fan or Blower

Closets

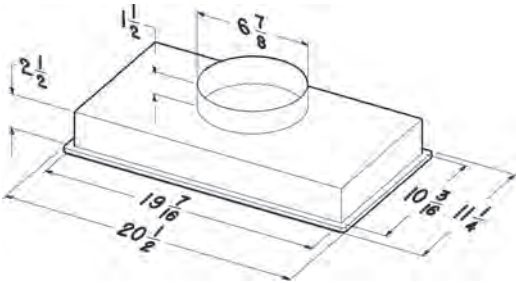
-----Twin Squirrel Cage, 2 Speed Ventilator Fan with Light-----

Furniture
Hardware

Order Number:
45-996



Pulls
&
Knobs



Lighting

Grommets

Locks,
Lock
Systems

Molding,
Carvings

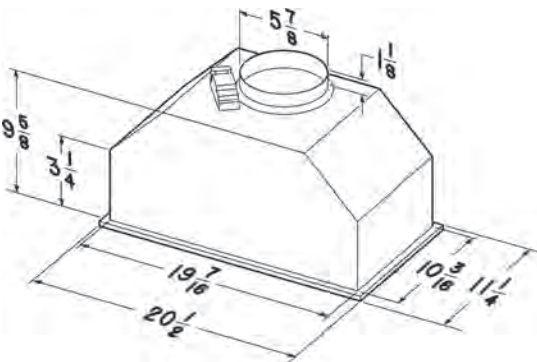
-----Twin Squirrel Cage, Variable Speed Blower with 2 level light-----

Order Number:
45-998



Tools

Adhesives
Solvents
Abrasives



Chemicals
Staples
Screws

KITCHEN ACCESSORIES

BASE and WALL CABINET FILLERS

Kitchens

Doors

Kitchen Accessories

Hinges

Drawer Slides

Plywood Melamine

Veneer Edgebanding

Laminate

Solid Surface

Closets

Furniture Hardware

Pulls & Knobs

Lighting

Grommets

Locks, Lock Systems

Molding, Carvings

Tools

Adhesives Solvents Abrasives

Chemicals Staples Screws

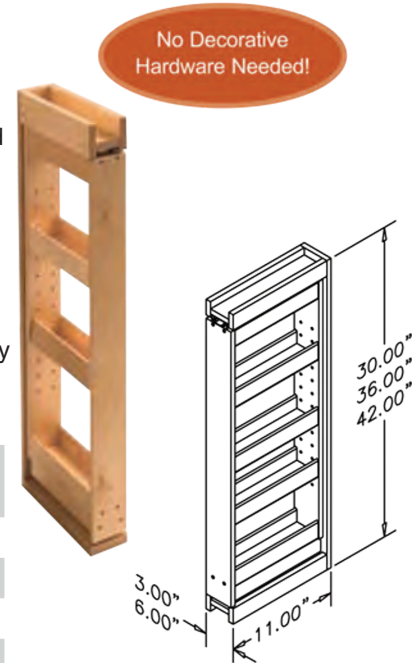


Wall Pantry Filler, Maple

- Available for 3" and 6" wide wall applications
- Simply install between adjacent cabinets to provide valuable storage space
- All KitchenMate fillers feature solid maple and plywood construction
- Features included 8405 slides, adjustable shelves and our unique Magnetic Push Catch
- 30" height x 11" deep
- Front filler board and Column Concepts sold separately

Kitchen Mate Wall Pantry Filler

ORDER NUMBER	SIZE	DIMENSIONS
46-434	3" Wall Filler	3" wide x 30" tall
46-436	3" Wall Filler	3" wide x 42" tall
46-438	6" Wall Filler	6" wide x 30" tall
46-440	6" Wall Filler	6" wide x 42" tall



Base Pantry Filler, Maple

- Available for 3" or 6" wide base applications
- Simply install between adjacent cabinets to provide valuable storage space
- All Kitchen Mate fillers feature solid maple and plywood construction
- Features included 8405 slides, adjustable shelves and our unique Magnetic Push Catch
- 30" high, 24" deep
- Front filler board and rosettes sold separately

Kitchen Mate Base Pantry Filler

ORDER NUMBER	SIZE	DIMENSIONS
46-430	3" Base Filler	3" wide x 30" tall
46-432	6" Base Filler	6" wide x 30" tall



KITCHEN ACCESSORIES

Pull-Out Systems

Kitchens

Doors



VAUTH-SAGEL

Kitchen Accessories

DSA Pull-Out Frame

Hinges

Drawer Slides

Plywood Melamine

Veneer Edgebanding

Laminate

Solid Surface

Closets

Furniture Hardware

Pulls & Knobs

Lighting

Grommets

Locks, Lock Systems

Molding, Carvings

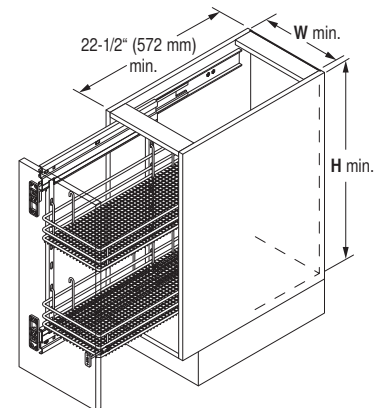
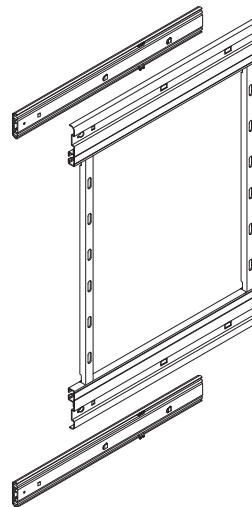
Tools

Adhesives Solvents Abrasives

Chemicals Staples Screws



4 x



Item No.	Description	For basket qty.	Frame height
9000 2999	DSA 1 frame	2	18-3/4" (475 mm)
9000 3001	DSA 3 frame	2	25" (635 mm)
9000 3259	DSA 3a frame	3	26-1/2" (667 mm)
9000 3002	DSA 4 frame	3	28-3/4" (731 mm)
9000 3260	DSA 4a frame	3	35-1/8" (891 mm)

Packing: 1 set of frame, slide and spacer

Finish: silver

Note: Basket sets need to be ordered separately (see next page)

Pull-Out Systems



DSA pull-out baskets



Saphir basket for min. cabinet opening width of 4-1/2" (112 mm)



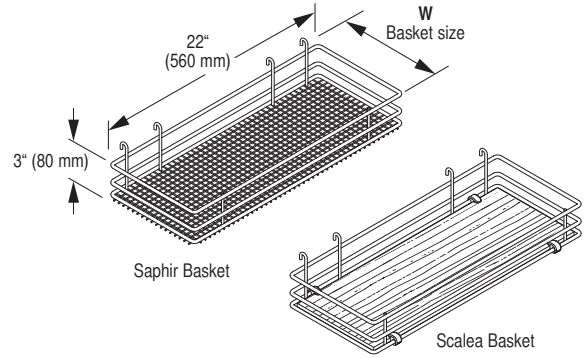
Scalea basket for min. cabinet opening width of 4-1/2" (112 mm)



Saphir basket for min. cabinet opening width 10-1/4" (257 mm)

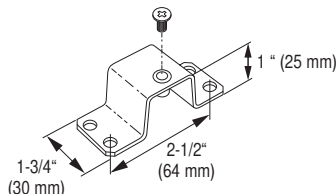


Scalea basket for min. cabinet opening width 10-1/4" (257 mm)

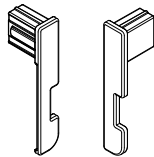


W Basket Size	DSA Baskets incl. door front brackets Left/Right or non-handed Cabinet opening W	Saphir 2 per box	Saphir 3 per box	Scalea 2 per box	Scalea 3 per box
3-3/8" (85 mm)	4-1/2" (112 mm)	9000 2569	9000 2570	9000 2585	9000 2586
5" (125 mm)	6" (152 mm)	9000 2571	9000 2572	9000 2587	9000 2588
6-1/2" (165 mm)	7-1/2" (192 mm)	9000 2573	9000 2574	9000 2589	9000 2590
9" (230 mm)	10-1/2" (257 mm)	9000 2575	9000 2576	9000 2591	9000 2592
Holder Sets, incl. one 3-3/8" (85 mm) basket and door front brackets					
	Cabinet opening W	Saphir, chrome			
Towel holder left	4-1/2" (112 mm)	9000 1996			
Towel holder right	4-1/2" (112 mm)	9000 1997			
Baking tray holder	4-1/2" (112 mm)	9000 1998			

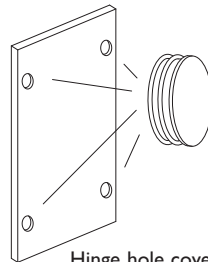
Miscellaneous



Faceframe spacer



DSA frame cover caps left and right



Hinge hole cover cap

Item No.	Description
9000 3018	Faceframe spacer, 3 pieces RAL 9006 (silver), 3 M5 x 10 counter sunk screws
9000 3150	DSA frame cover caps left and right, plastic RAL 7042 (grey)
9100 1222	Hinge hole cover cap, 4 pieces, plastic RAL 9010 (white)

Kitchens

Doors

Kitchen Accessories

Hinges

Drawer Slides

Plywood Melamine

Veneer Edgebanding

Laminate

Solid Surface

Closets

Furniture Hardware

Pulls & Knobs

Lighting

Grommets

Locks, Lock Systems

Molding, Carvings

Tools

Adhesives Solvents Abrasives

Chemicals Staples Screws

KITCHEN ACCESSORIES

China Display Rack

Kitchens

Doors

Kitchen Accessories

Hinges

Drawer Slides

Plywood Melamine

Veneer Edgebanding

Laminate

Solid Surface

Closets

Furniture Hardware

Pulls & Knobs

Lighting

Grommets

Locks, Lock Systems

Molding, Carvings

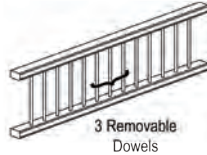
Tools

Adhesives Solvents Abrasives

Chemicals Staples Screws



Dowels can be removed for easy cleaning.



- Versatile design allows for trim capability for smaller size applications
- Kit consists of two top and two bottom predrilled rails with 32 vertical dowels, spaced on 2" centers.

Order Numbers

Unfinished Oak	51-480
Unfinished Maple	51-482
Unfinished Cherry	51-484

Conventional Corner Appliance Garage

Conventional Straight Appliance Garage



Order Number	Species	A	B	C
51-404	Oak	18"	11-1/2"	16-3/4"
51-408	Maple	18"	11-1/2"	16-3/4"

Order Number	Species	A	B	C
51-406	Oak	18"	11-3/4"	30"
51-418	Maple	18"	11-3/4"	30"

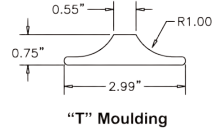
KITCHEN ACCESSORIES

Wood Wine Rack



23" x 42"
Chamfered Edges
 Order Numbers
 Unfinished Cherry . **51-398**
 Unfinished Oak **51-400**
 Unfinished Maple .. **51-402**

Wood Stemware Moulding



5' Lengths
 Order Numbers
 Unfinished Red Oak... **51-530**
 Unfinished Maple **51-426**
 Unfinished Cherry **51-532**

Bottle Rack



48" Lengths
 Order Numbers
 Unfinished Cherry.....**51-434**
 Unfinished Maple.....**51-436**

Wood Stemware Rack



18" Wide x 12" Deep
 Order Numbers
 Unfinished Red Oak... **51-420**
 Unfinished Maple **51-422**
 Unfinished Cherry **51-423**

Chrome, Top Mount Stemware Racks

Double Rack
 Order Number
Chrome 51-464

8" Wide
 13-1/2" Deep
 2-1/2" Height



Kitchens

Doors

Kitchen
Accessories

Hinges

Drawer
Slides

Plywood
Melamine

Veneer
Edgebanding

Laminate

Solid
Surface

Closets

Furniture
Hardware

Pulls
&
Knobs

Lighting

Grommets

Locks,
Lock
Systems

Molding,
Carvings

Tools

Adhesives
Solvents
Abrasives

Chemicals
Staples
Screws

KITCHEN ACCESSORIES

Ironing Board

Kitchens

Doors

Kitchen Accessories

Hinges

Drawer Slides

Plywood Melamine

Veneer Edgebanding

Laminate

Solid Surface

Closets

Furniture Hardware

Pulls & Knobs

Lighting

Grommets

Locks, Lock Systems

Molding, Carvings

Tools

Adhesives Solvents Abrasives

Chemicals Staples Screws

- Ironing Board is 42" ventilated steel
- Full length piano hinge
- Hot iron storage compartment
- Storage shelf
- Ironing board cover and pad included
- Birch Veneer Door
- Interior color beige tone



Out Side Dimensions:

15-3/8" x 47-7/8" x 6-3/8"

Opening Size:

14-1/4" w x 46-3/4" h x 4-1/16" d

Order Number
45-600

IRON-AWAY
Built-In Ironing Centers

Ironing Board

- Ironing Board is 46" ventilated steel
- 4" Vertical adjustment
- Full length piano hinge
- Hot iron storage compartment
- Storage shelf
- Ironing board cover and pad included
- Motor timer with switch, safety door switch, appliance outlet indicator light
- Garment Hook, Sleeve board, Spot Light
- Birch Veneer Door
- Interior color beige tone



Out Side Dimensions:

15-3/8" x 60-5/8" x 6-3/8"

Opening Size:

14-1/4" w x 59-1/2" h x 4-1/16" d

Order Number
45-114

IRON-AWAY
Built-In Ironing Centers

Hardwood Cutlery Drawer & Cutting Board

Order Number	Depth	Width
51-410	22-1/2"	11-11/16"
51-412	22-1/2"	14-11/16"
51-414	22-1/2"	17-11/16"
51-416	22-1/2"	20-11/16"

Most of the merchandise in this catalog is available in all Hardware Imagination-Tech locations. If your selection isn't available at the store nearest you, we'll gladly order it from one of the other stores or through special order.

